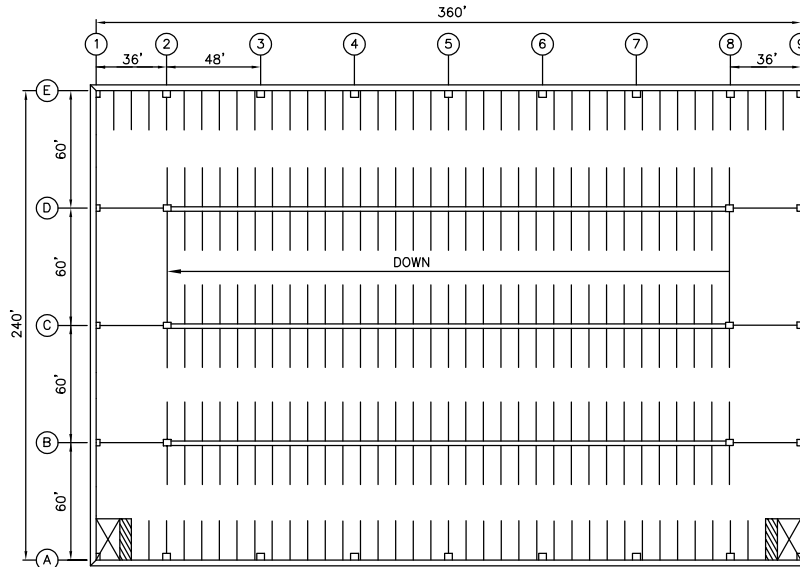


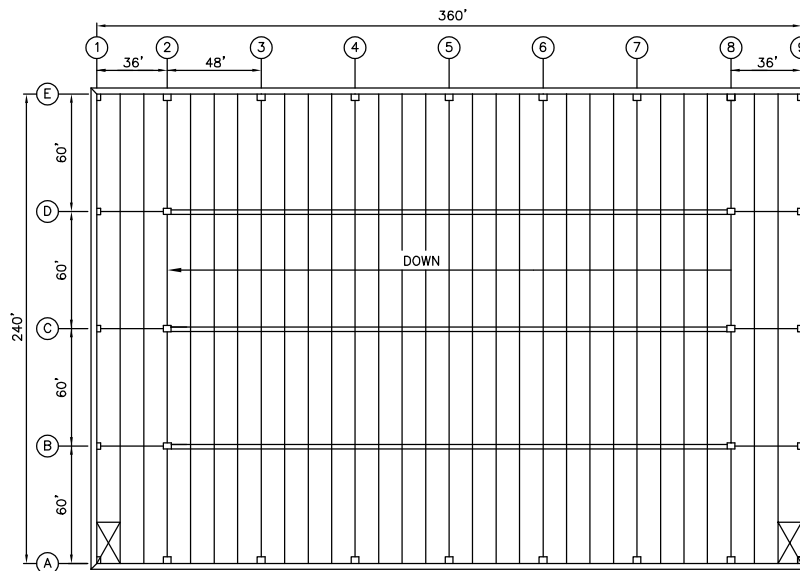


# PARKING STRUCTURE CONNECTION DETAIL

## PARKING GARAGE FOOTPRINT BAY SIZE: 48' X 60'



PARKING STALL LAYOUT 9'-0" x 18'-0"

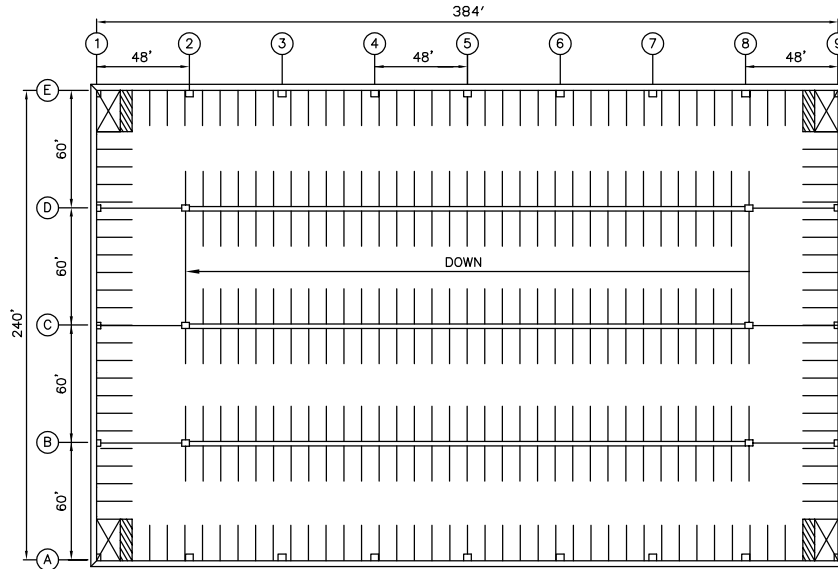


12'-0" DOUBLE TEE LAYOUT

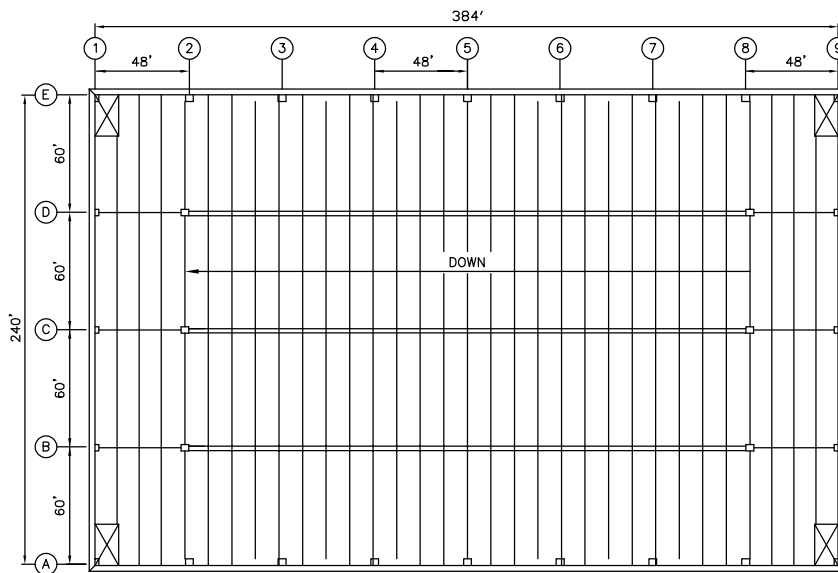


# PARKING STRUCTURE CONNECTION DETAIL

## PARKING GARAGE FOOTPRINT BAY SIZE: 48' X 60' (WITH 48' END BAYS)



PARKING STALL LAYOUT 9'-0" x 18'-0"

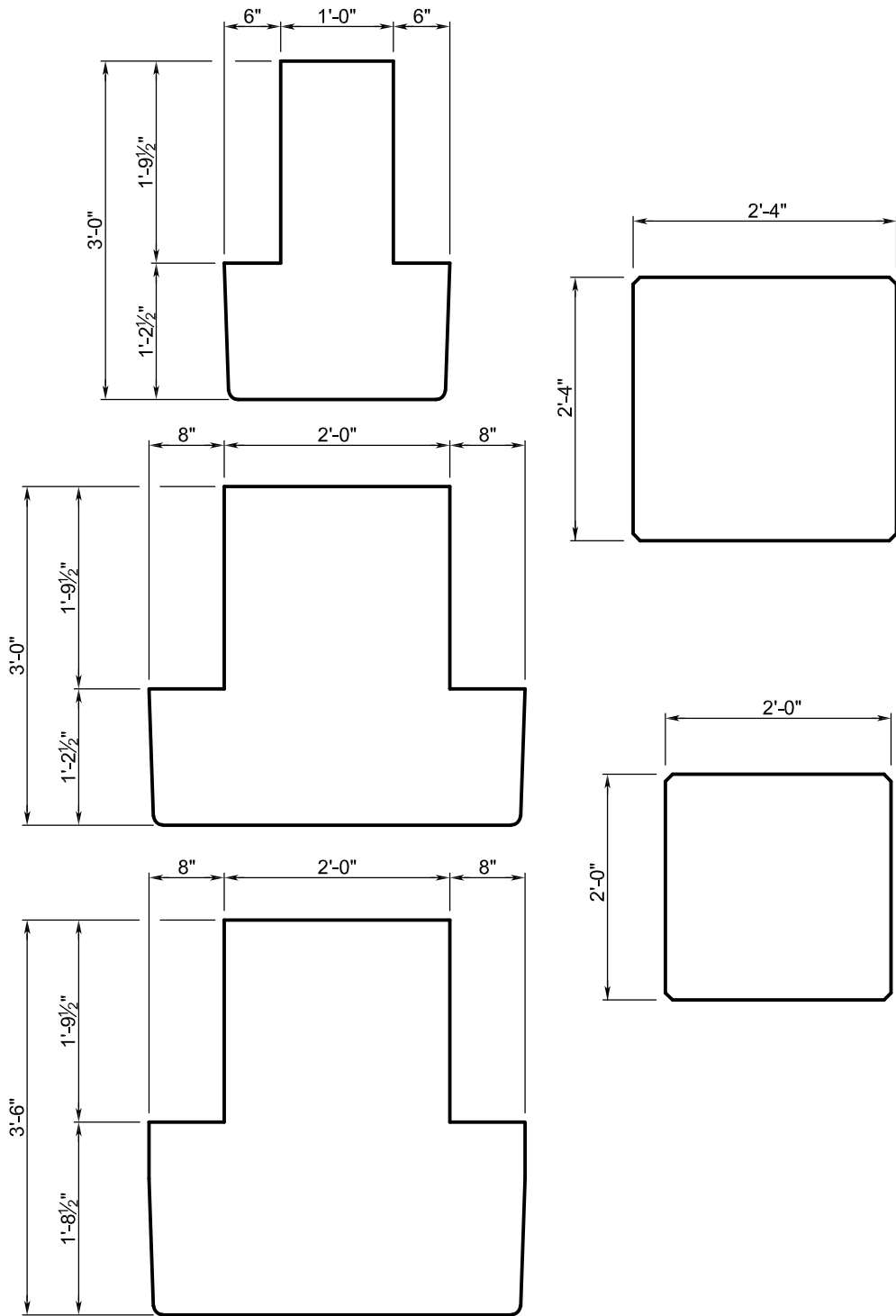


12'-0" DOUBLE TEE LAYOUT



# PARKING STRUCTURE CONNECTION DETAIL

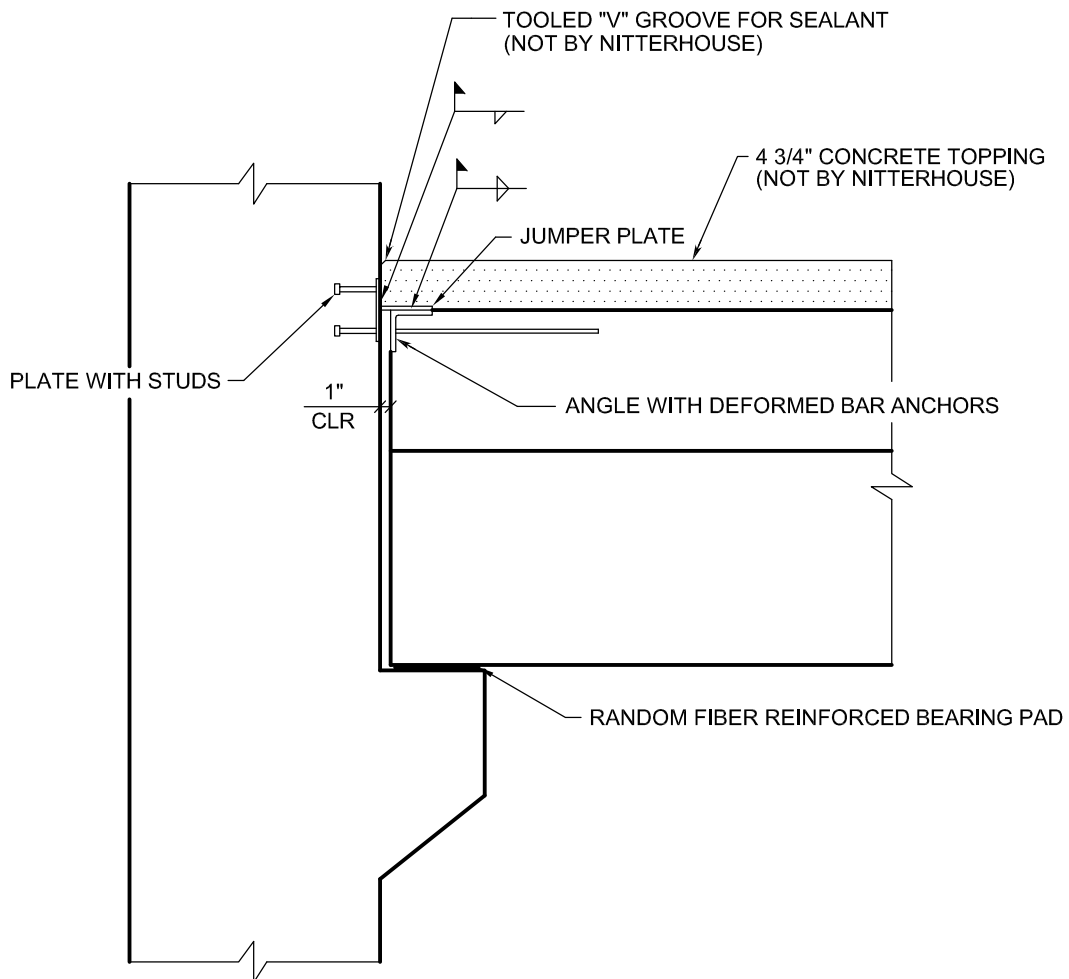
## INVERTED TEE BEAMS & COLUMNS





# PARKING STRUCTURE CONNECTION DETAIL

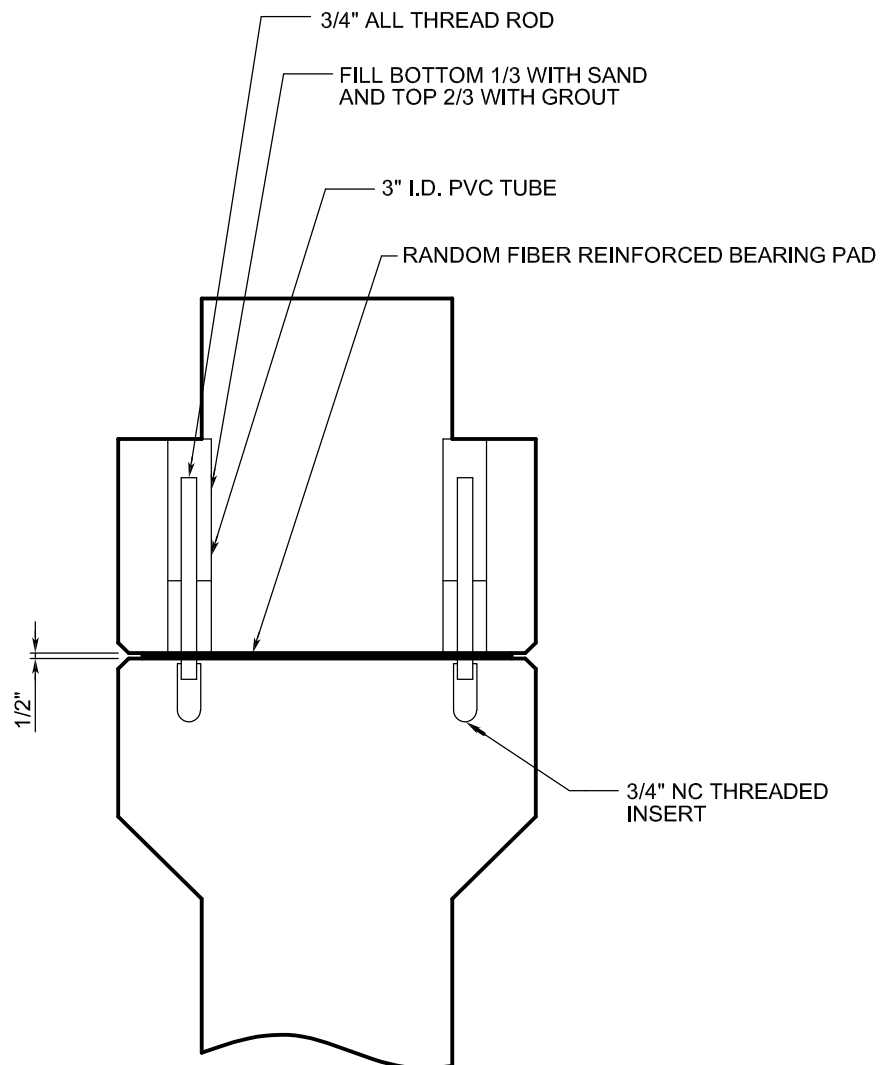
## BEAM TO COLUMN (MULTI-LEVEL STRUCTURES)





# PARKING STRUCTURE CONNECTION DETAIL

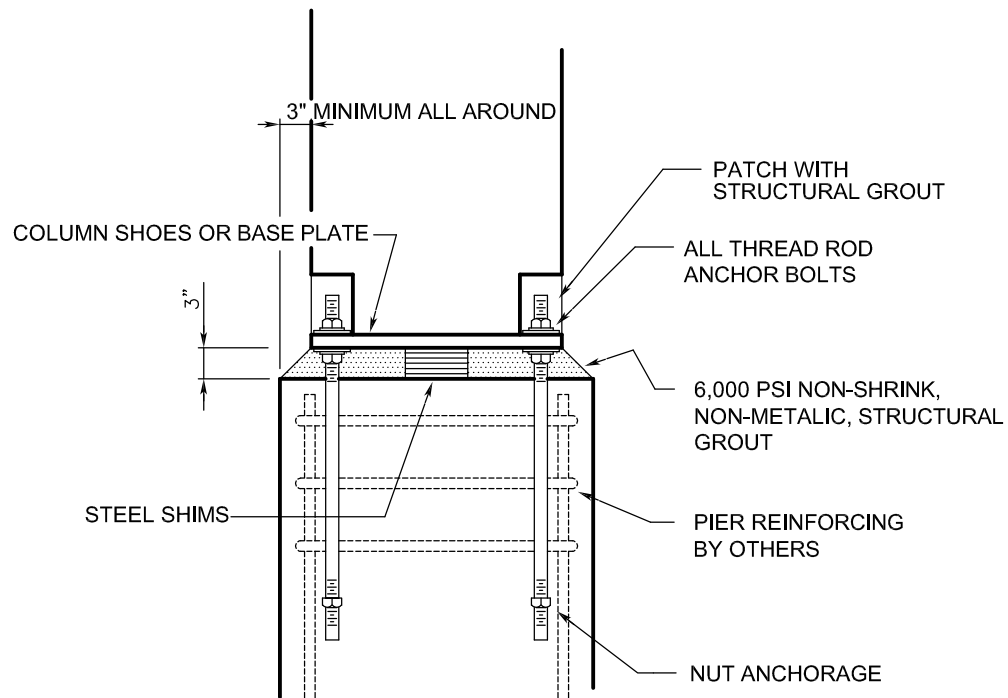
## BEAM TO COLUMN (1 LEVEL STRUCTURES)





# PARKING STRUCTURE CONNECTION DETAIL

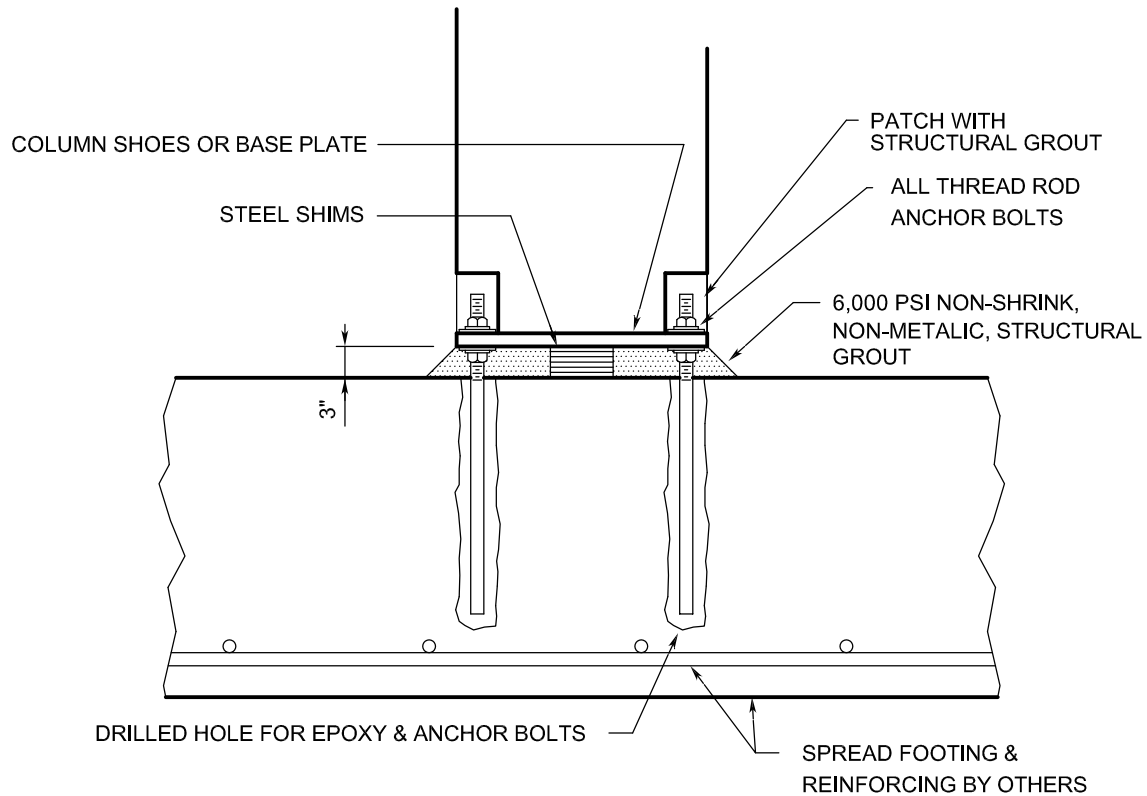
## COLUMN BASE





# PARKING STRUCTURE CONNECTION DETAIL

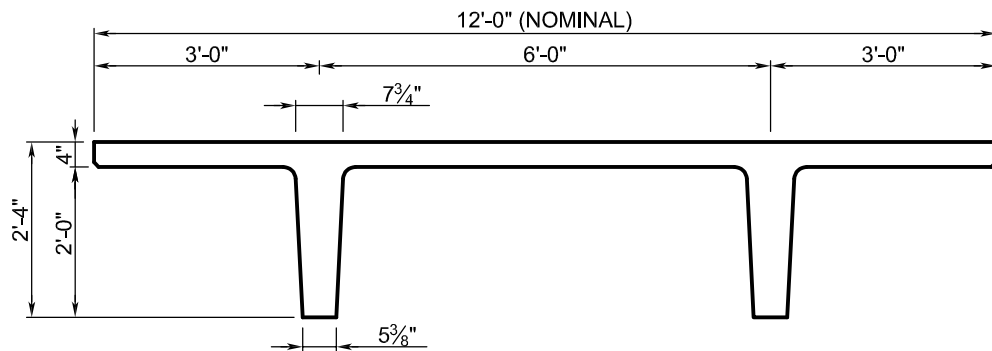
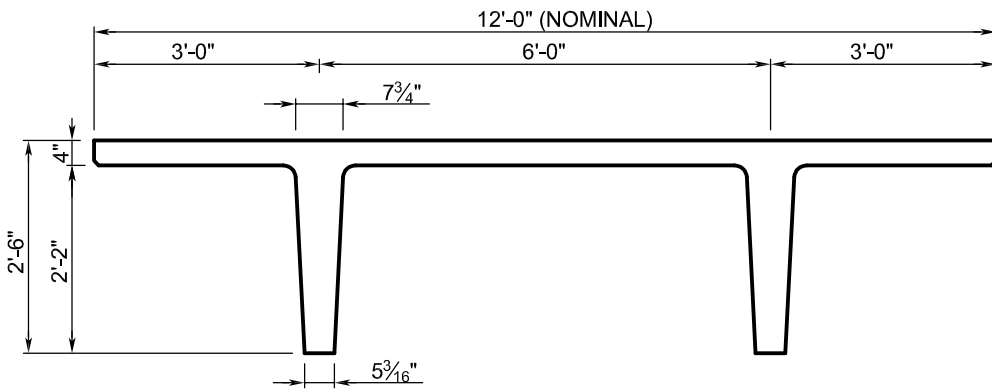
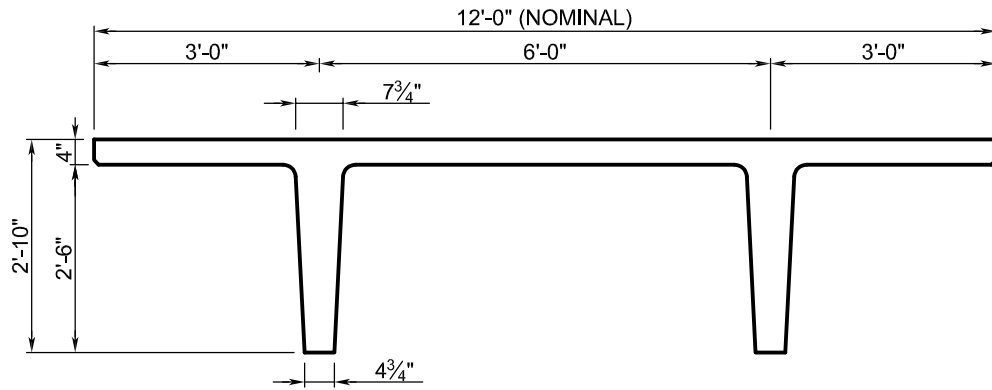
## COLUMN BASE





# PARKING STRUCTURE CONNECTION DETAIL

## DOUBLE TEES

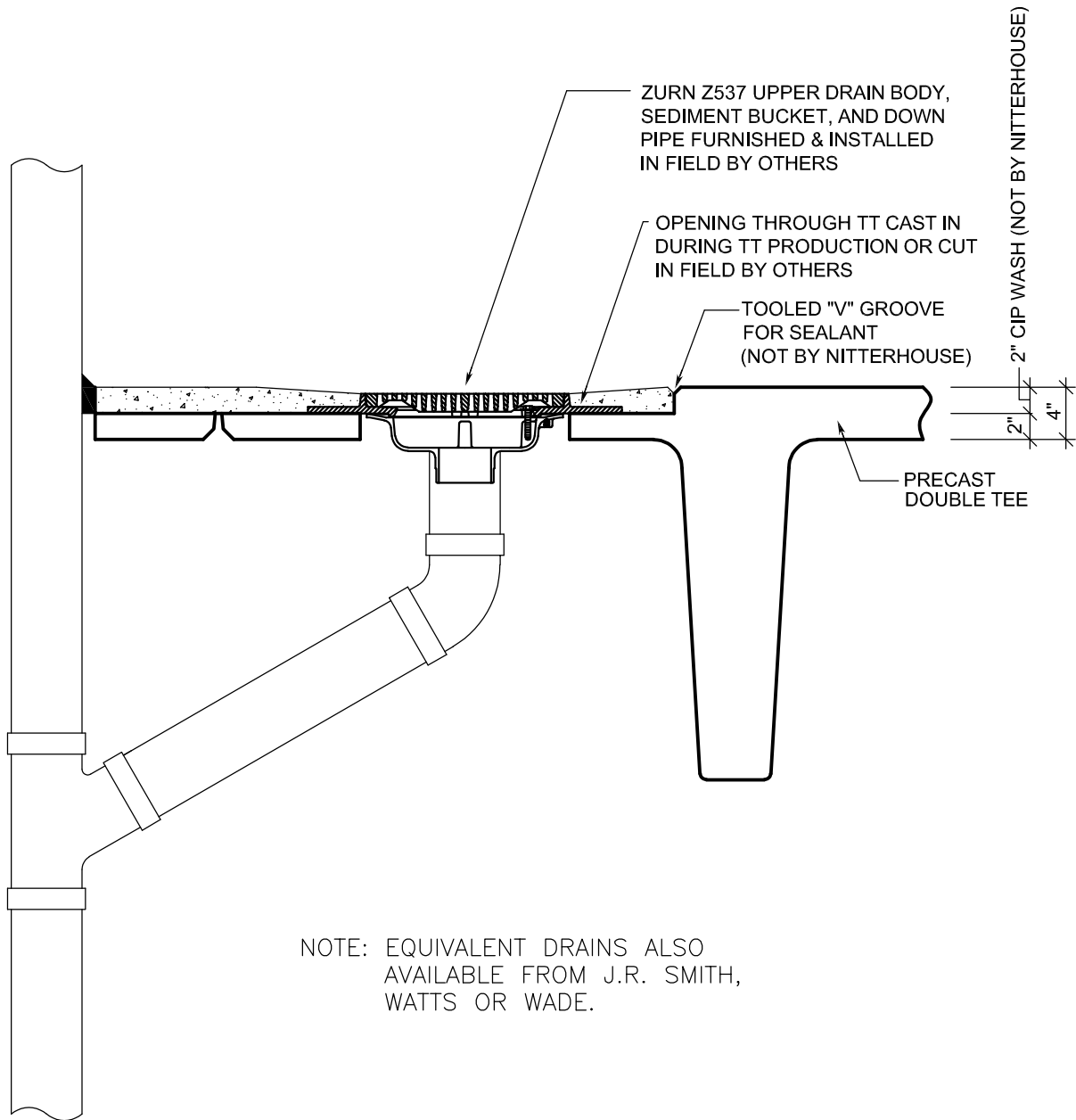






# PARKING STRUCTURE CONNECTION DETAIL

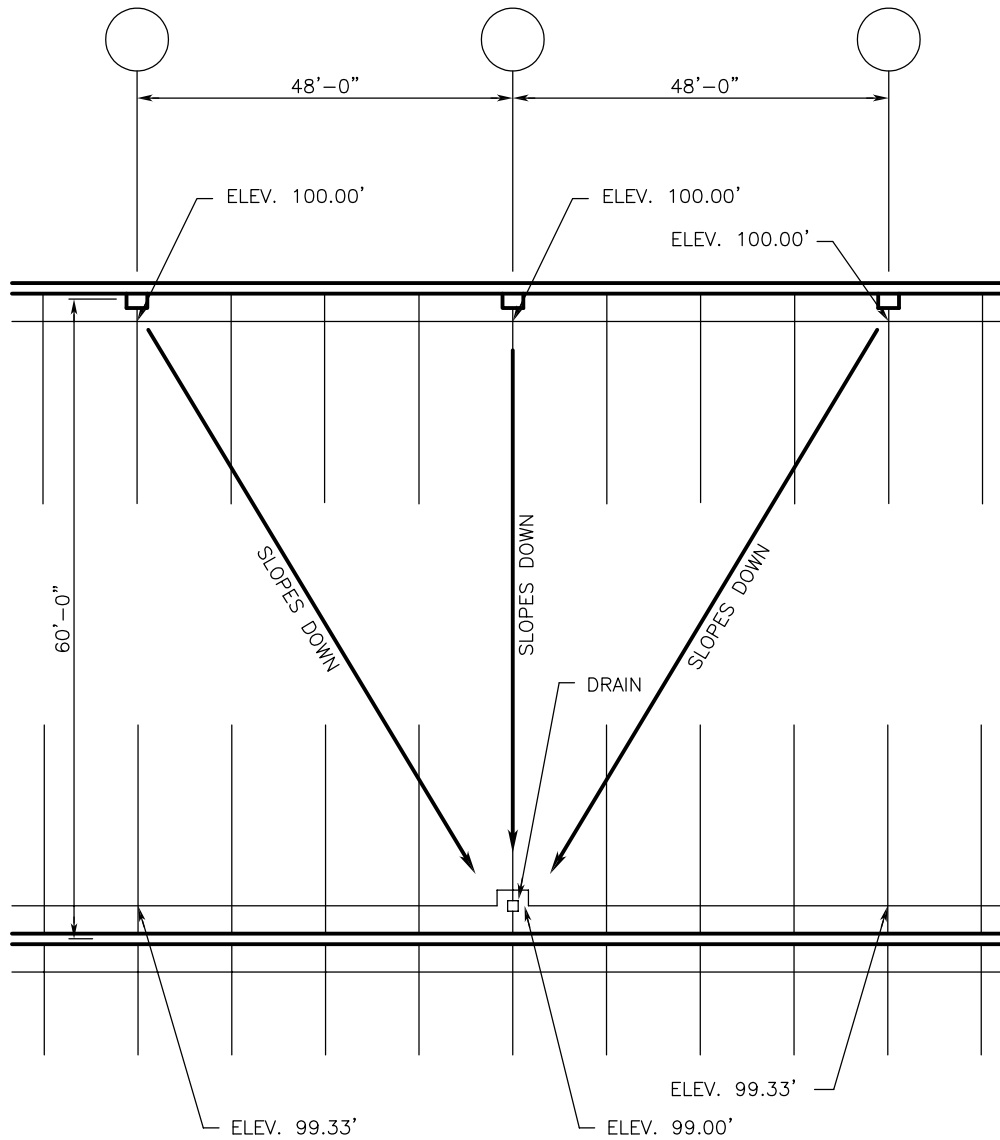
## DRAINS





# PARKING STRUCTURE CONNECTION DETAIL

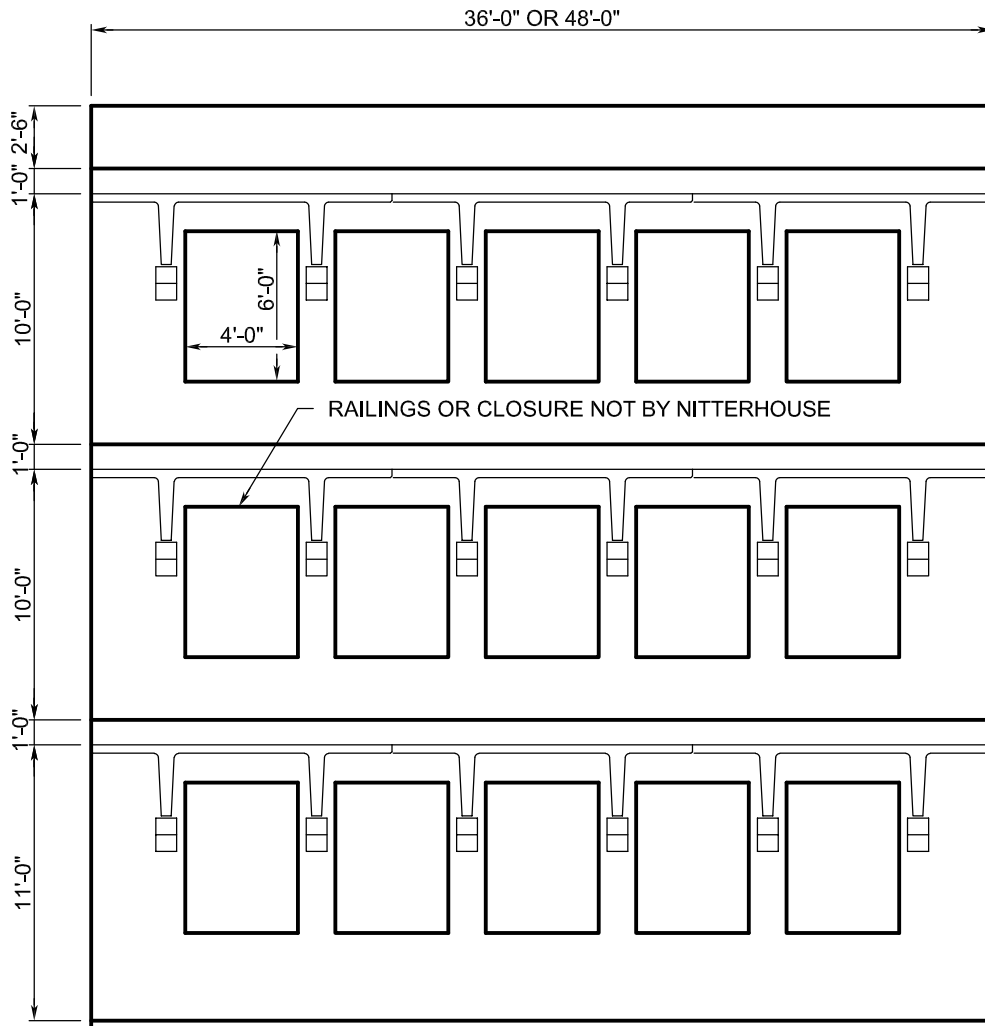
## DRAIN PLAN





# PARKING STRUCTURE CONNECTION DETAIL

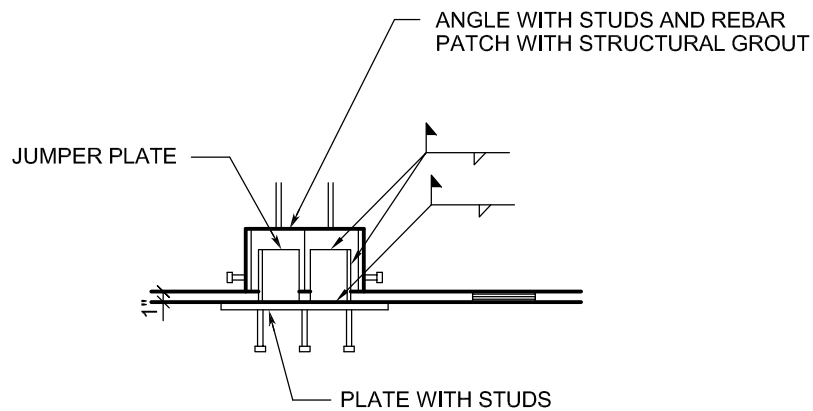
## HORIZONTAL LITE WALLS



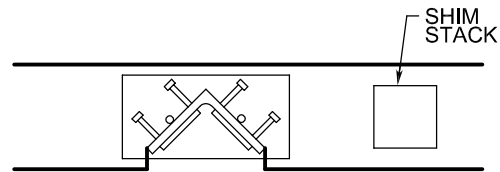


# PARKING STRUCTURE CONNECTION DETAIL

## PANEL BASE



ELEVATION VIEW

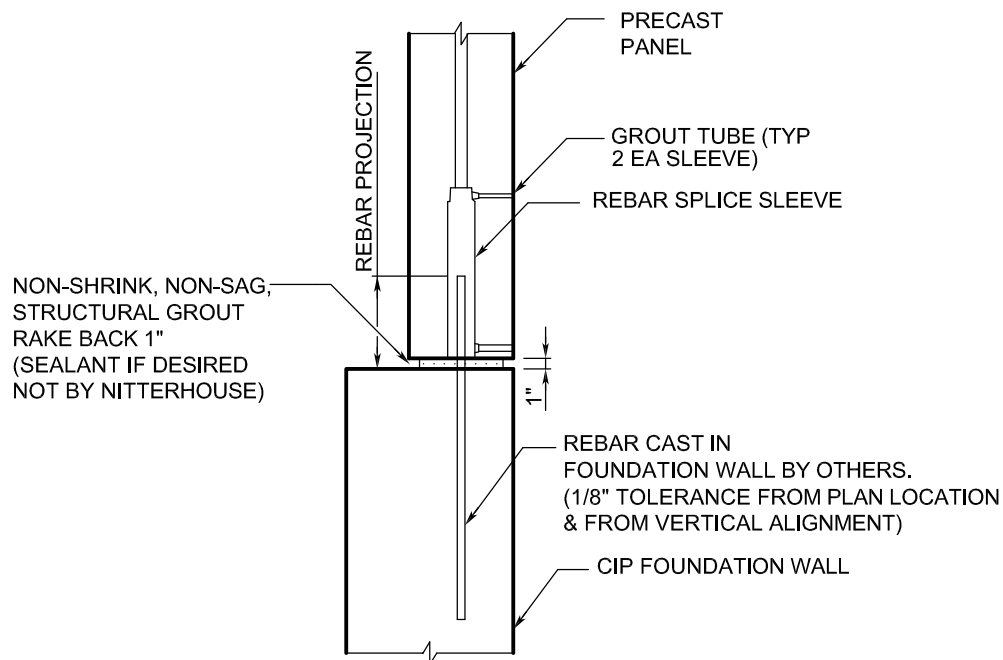


PLAN VIEW



# PARKING STRUCTURE CONNECTION DETAIL

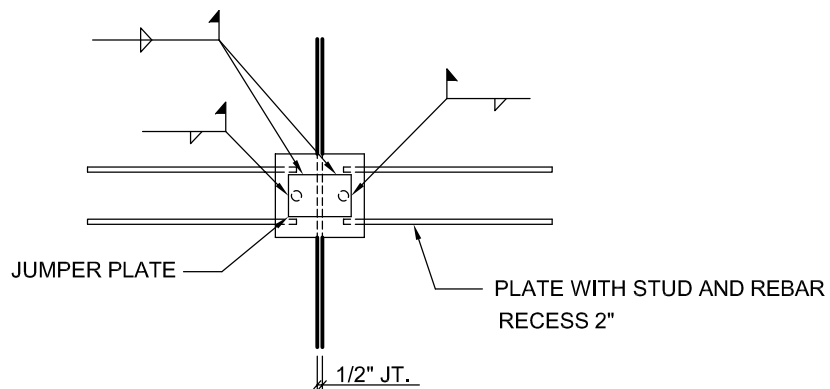
## PANEL BASE



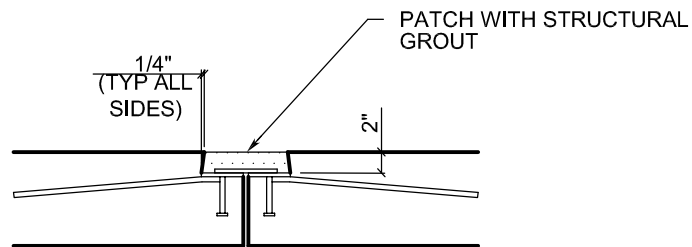


# PARKING STRUCTURE CONNECTION DETAIL

## PANEL TO PANEL



ELEVATION VIEW

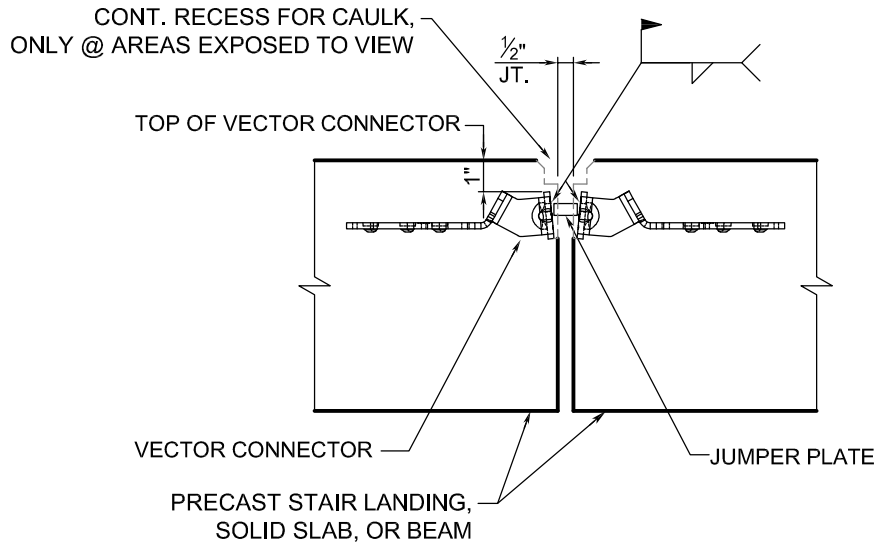


SECTION VIEW



# PARKING STRUCTURE CONNECTION DETAIL

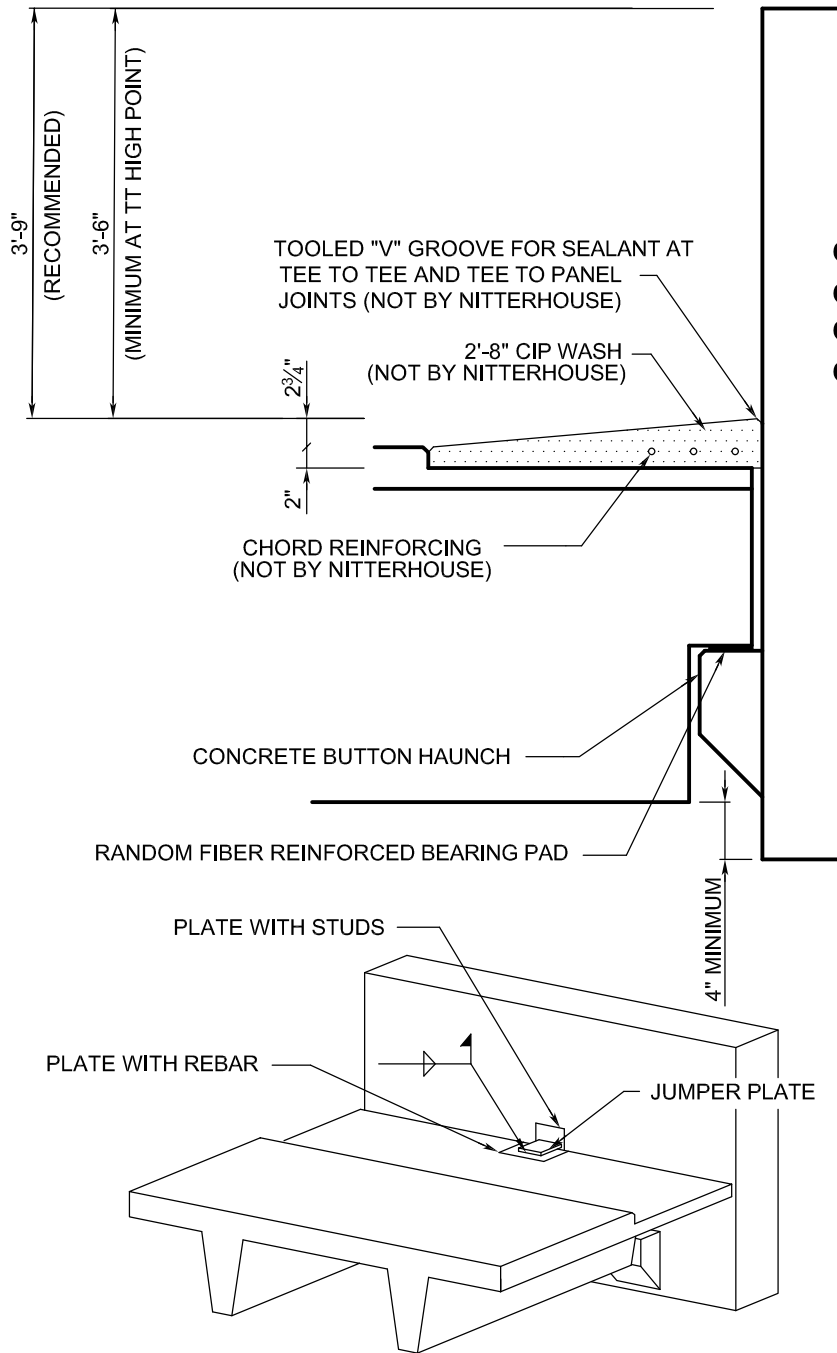
## SLAB TO SLAB





# PARKING STRUCTURE CONNECTION DETAIL

## SPANDREL BUTTON HAUNCH BEARING

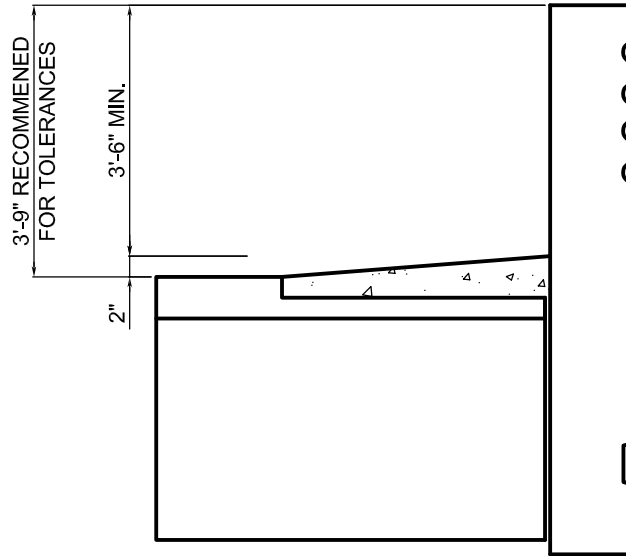




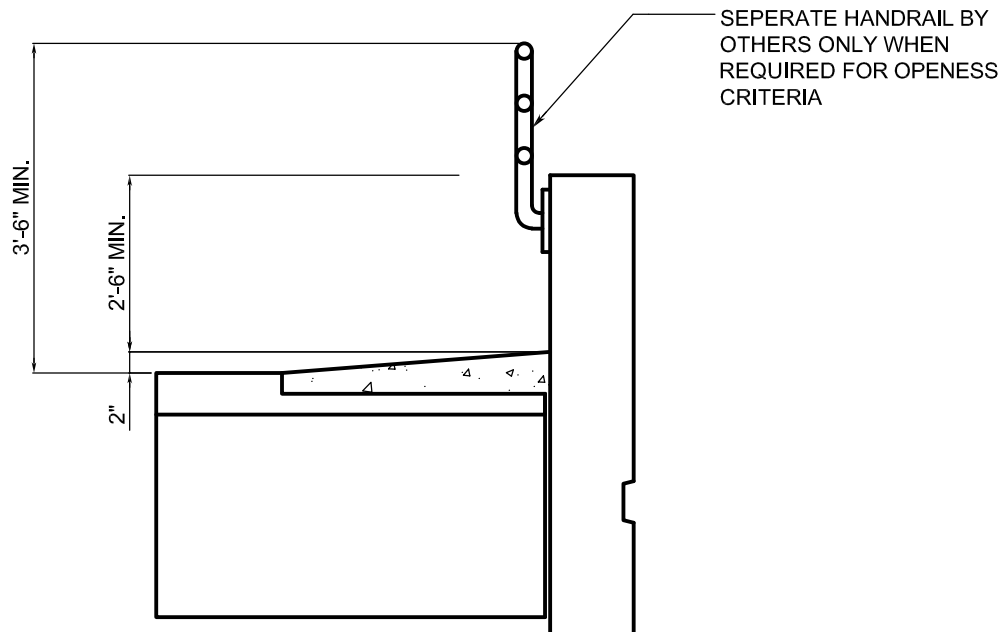


# PARKING STRUCTURE CONNECTION DETAIL

## SPANDREL PANELS



FULL HEIGHT SPANDREL  
RECOMMENDED WHEREVER POSSIBLE

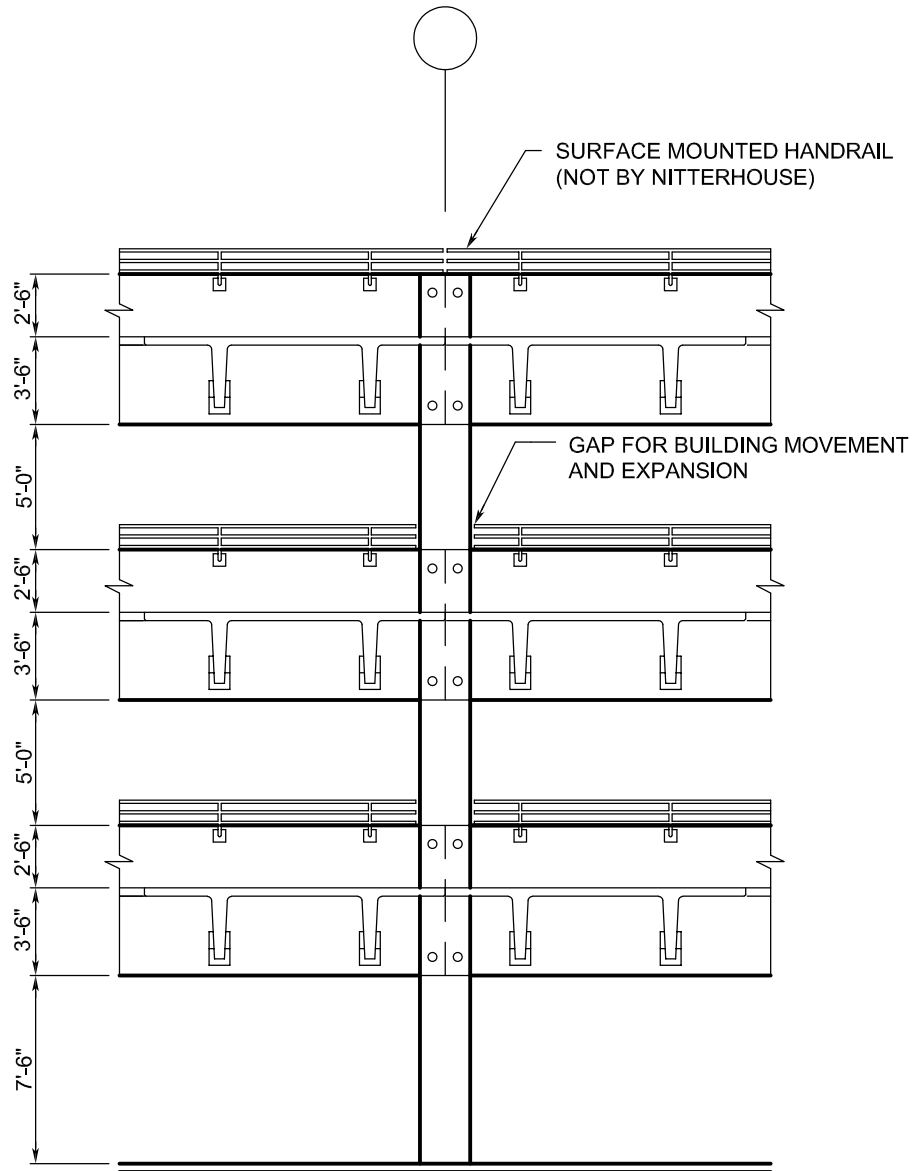


SPANDREL WITH HANDRAIL



# PARKING STRUCTURE CONNECTION DETAIL

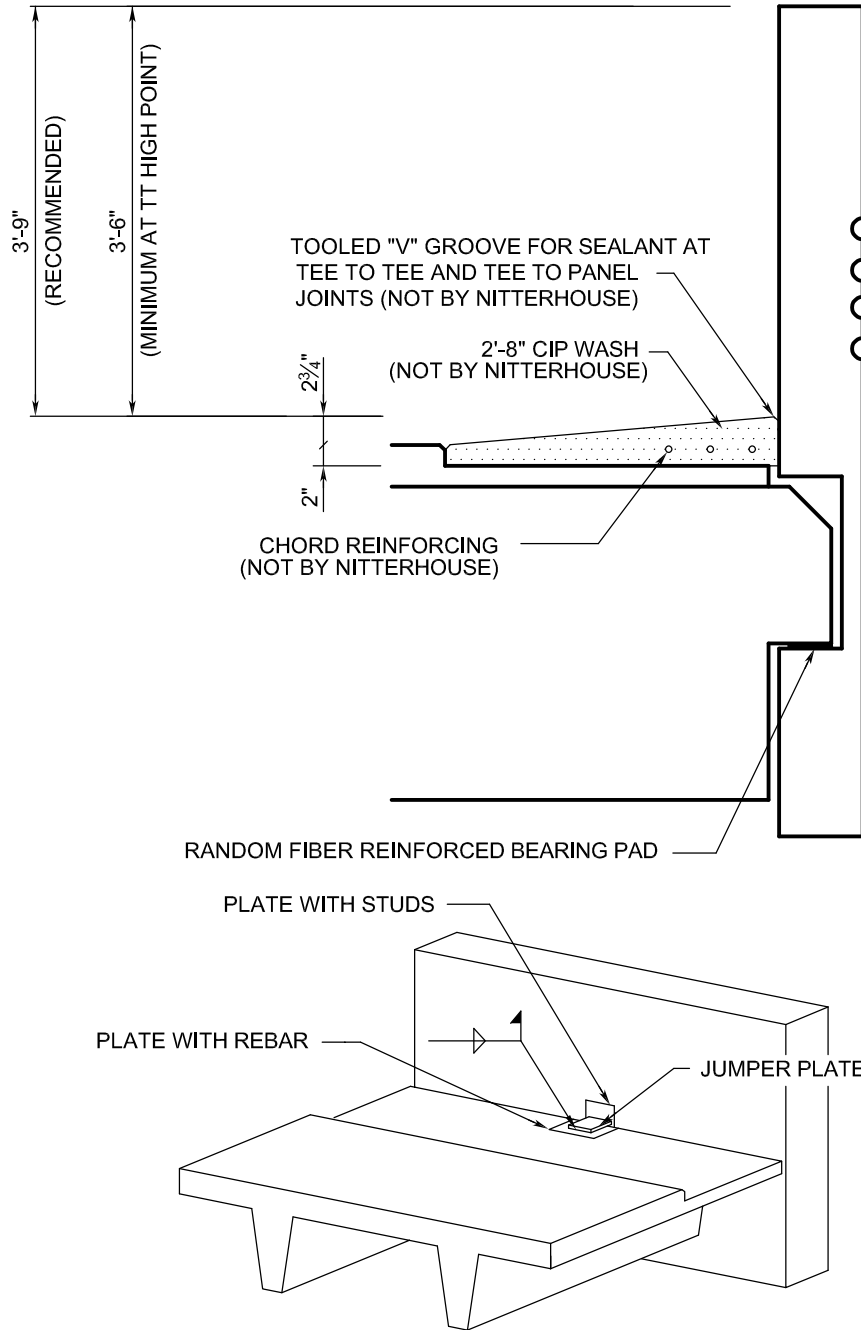
## SPANDREL PANELS





# PARKING STRUCTURE CONNECTION DETAIL

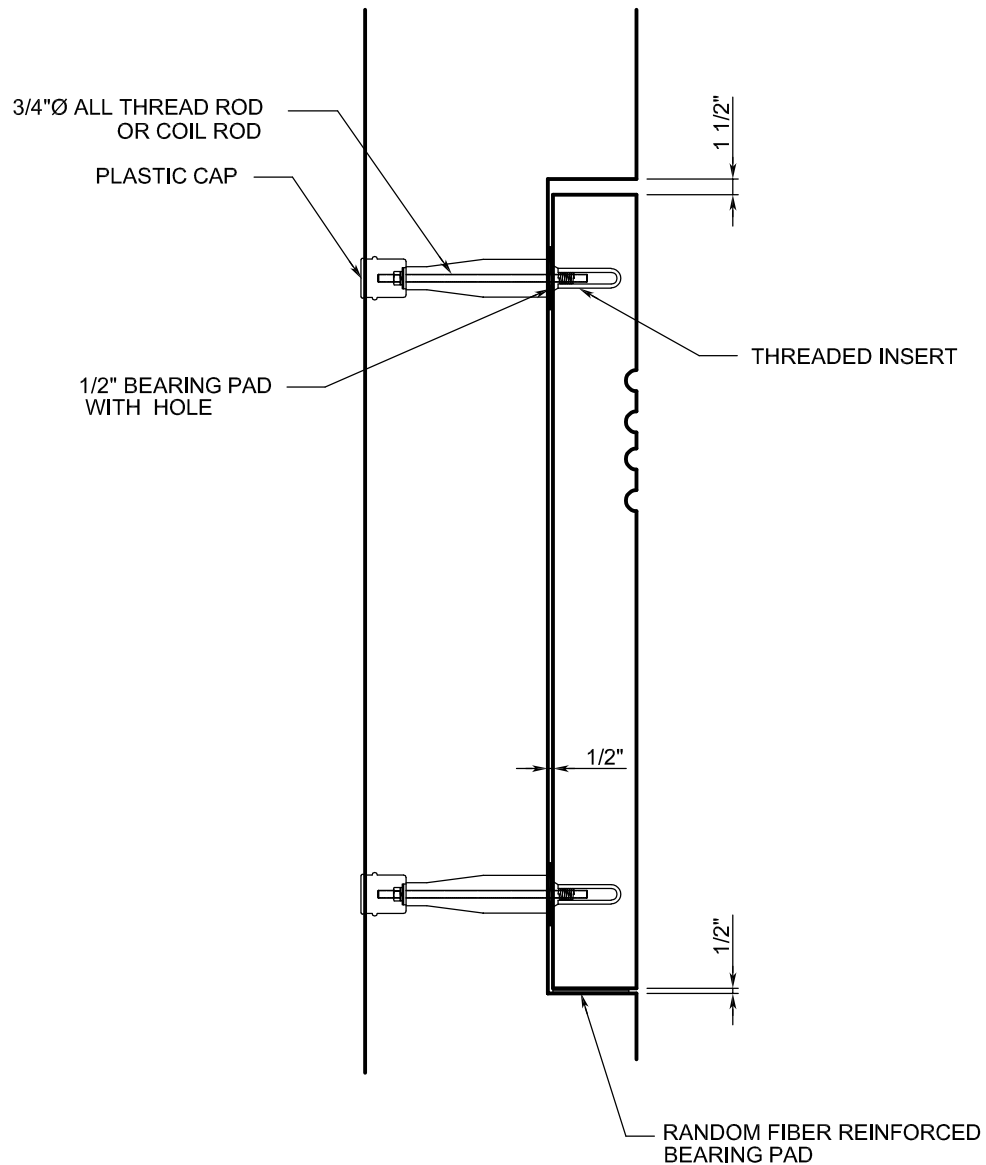
## SPANDREL POCKET BEARING





# PARKING STRUCTURE CONNECTION DETAIL

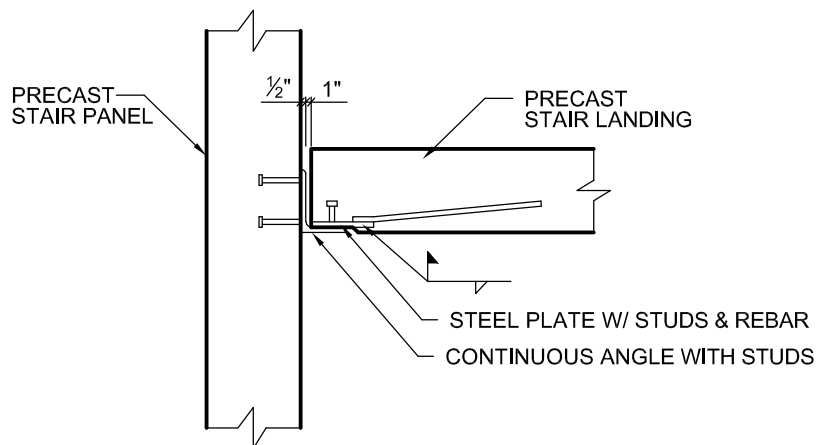
## SPANDREL TO COLUMN





# PARKING STRUCTURE CONNECTION DETAIL

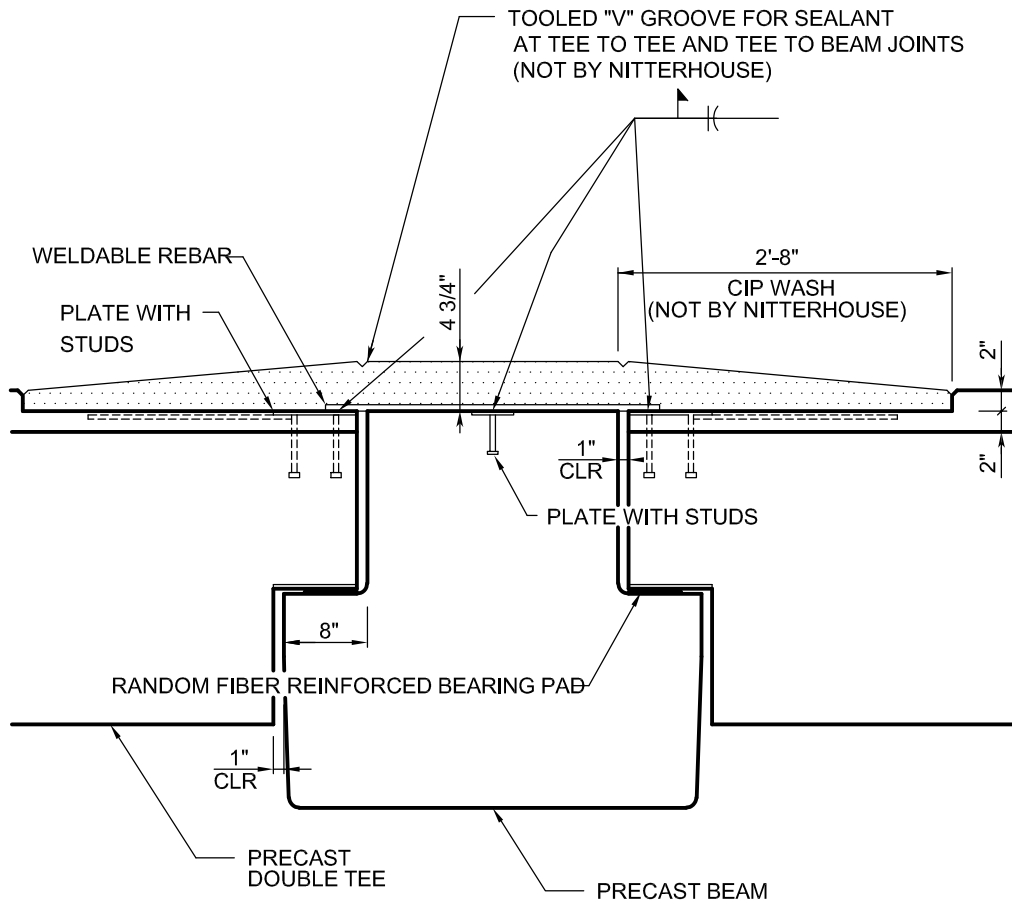
## STAIR TO PANEL





# PARKING STRUCTURE CONNECTION DETAIL

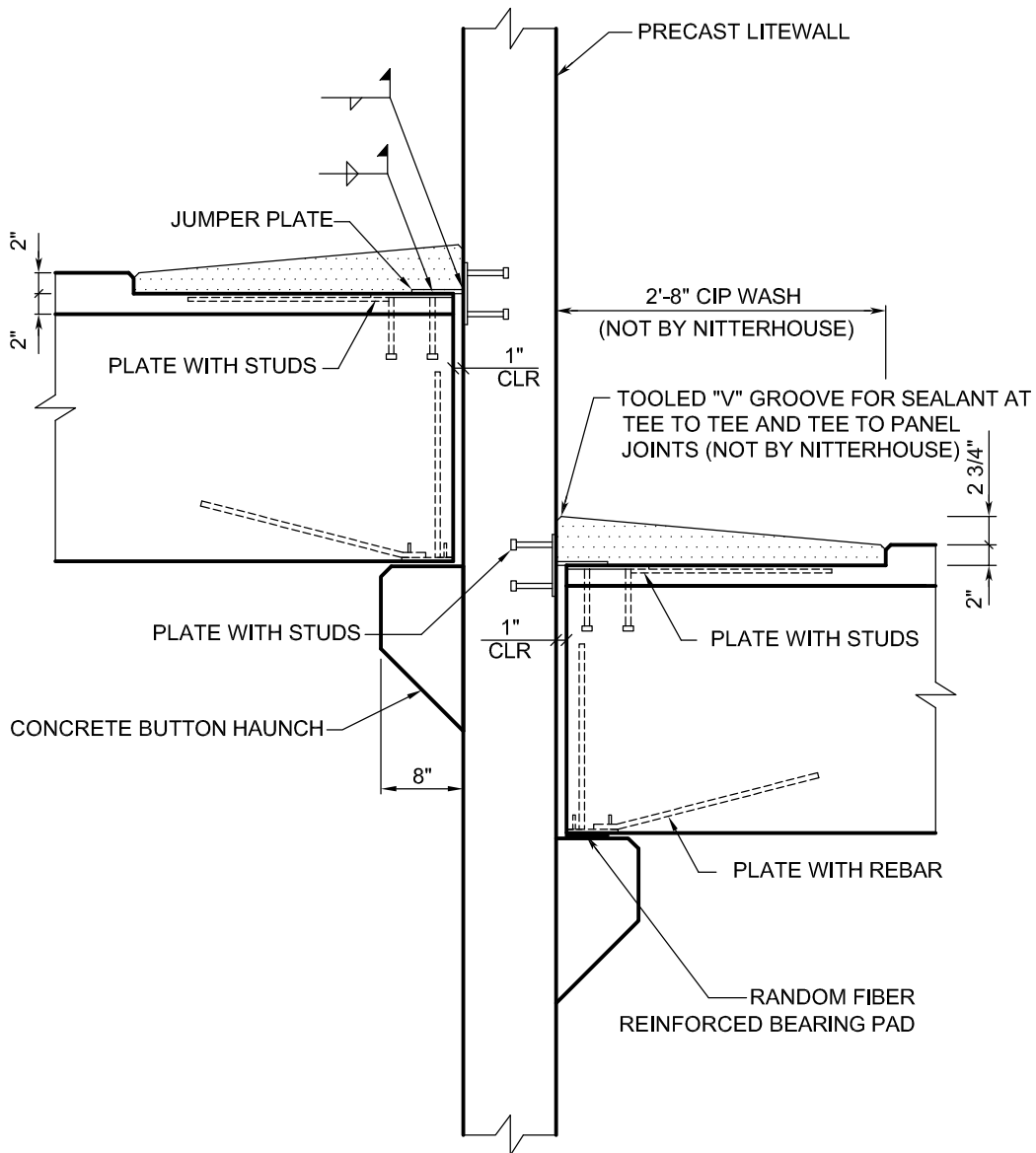
## TEE TO BEAM





# PARKING STRUCTURE CONNECTION DETAIL

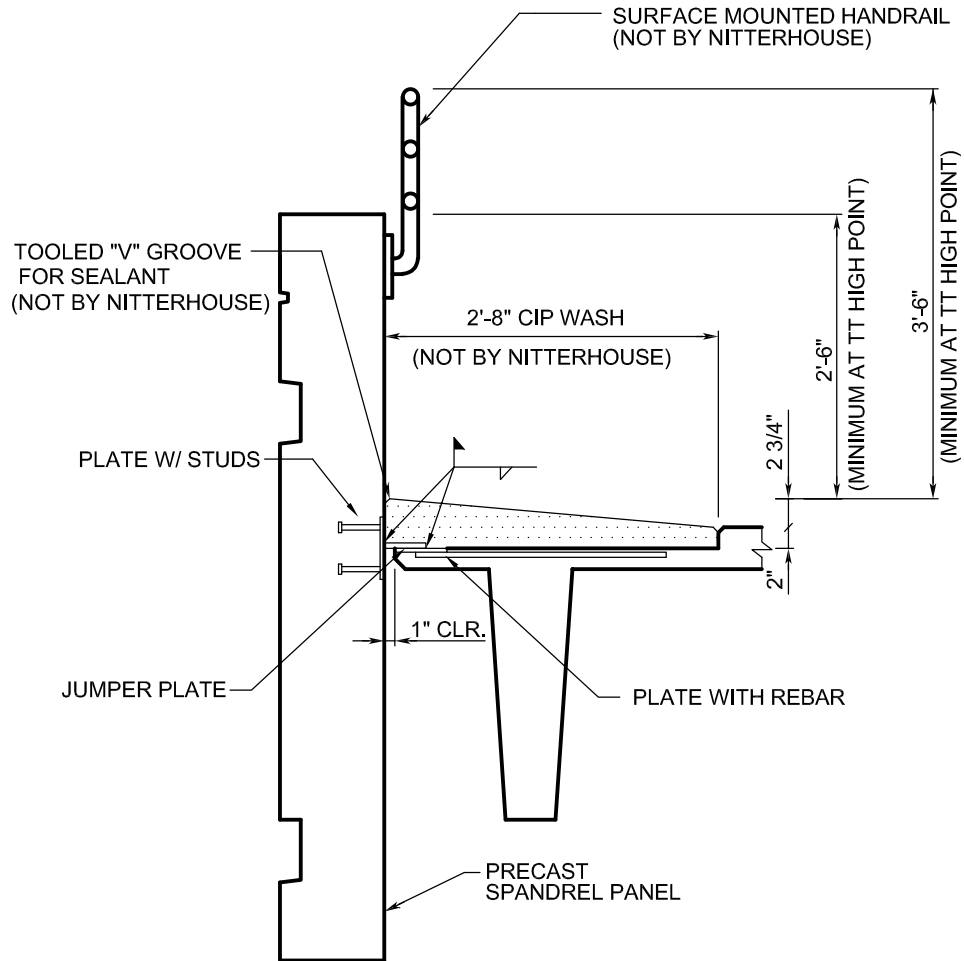
## TEE TO LITE WALL





# PARKING STRUCTURE CONNECTION DETAIL

## TEE TO SPANDREL



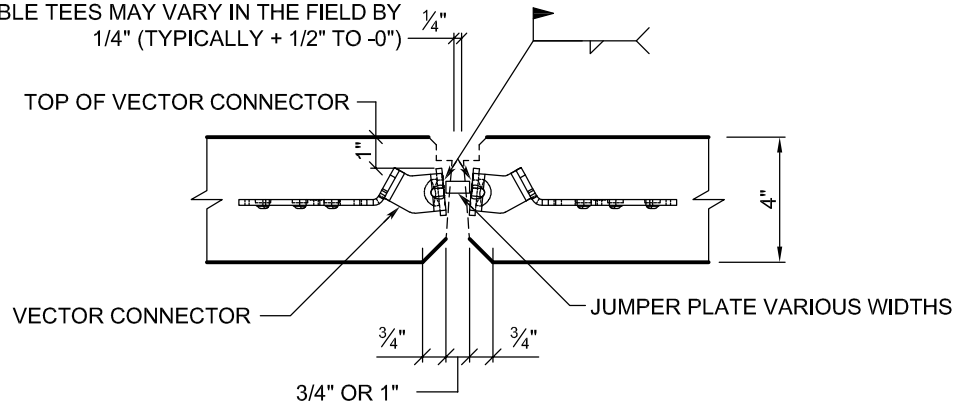




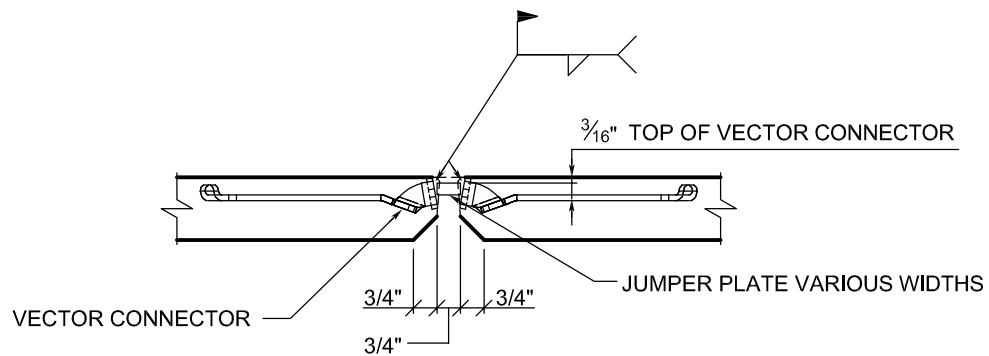
# PARKING STRUCTURE CONNECTION DETAIL

## TEE TO TEE

NOTE: THE 1/4" JOINT BETWEEN THE  
DOUBLE TEES MAY VARY IN THE FIELD BY  
1/4" (TYPICALLY + 1/2" TO -0")



(4" FLANGE)



(2" FLANGE)