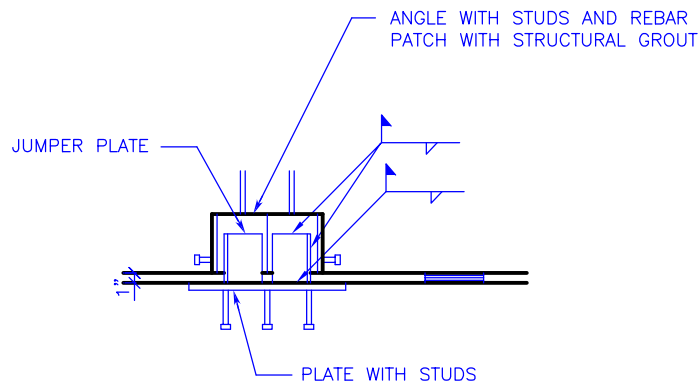


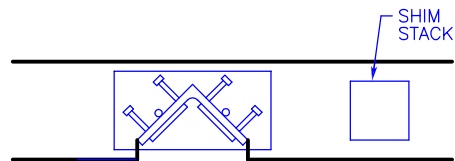


PARKING STRUCTURE CONNECTION DETAIL

PARKING GARAGE CONNECTION PANEL BASE



ELEVATION VIEW



PLAN VIEW

NITTERHOUSE
CONCRETE PRODUCTS

P. O. Box 2013
P: (717) 267-4505



Chambersburg, PA 17201
F: (717) 267-4518

www.nitterhouse.com

