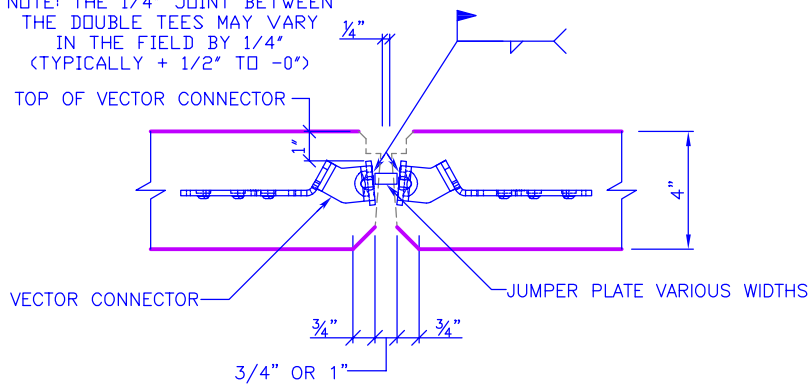




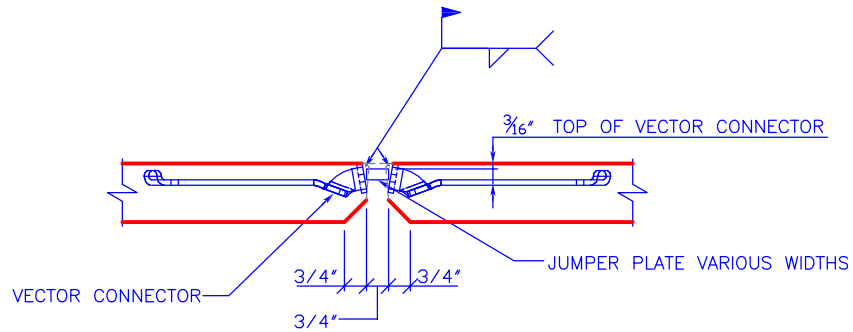
PARKING STRUCTURE CONNECTION DETAIL

PARKING GARAGE CONNECTION TEE TO TEE

NOTE: THE 1/4" JOINT BETWEEN
THE DOUBLE TEES MAY VARY
IN THE FIELD BY 1/4"
(TYPICALLY + 1/2" TO -0")



(4" FLANGE)



(2" FLANGE)

NITTERHOUSE
CONCRETE PRODUCTS

P. O. Box 2013
P: (717) 267-4505



Chambersburg, PA 17201
F: (717) 267-4518

www.nitterhouse.com

