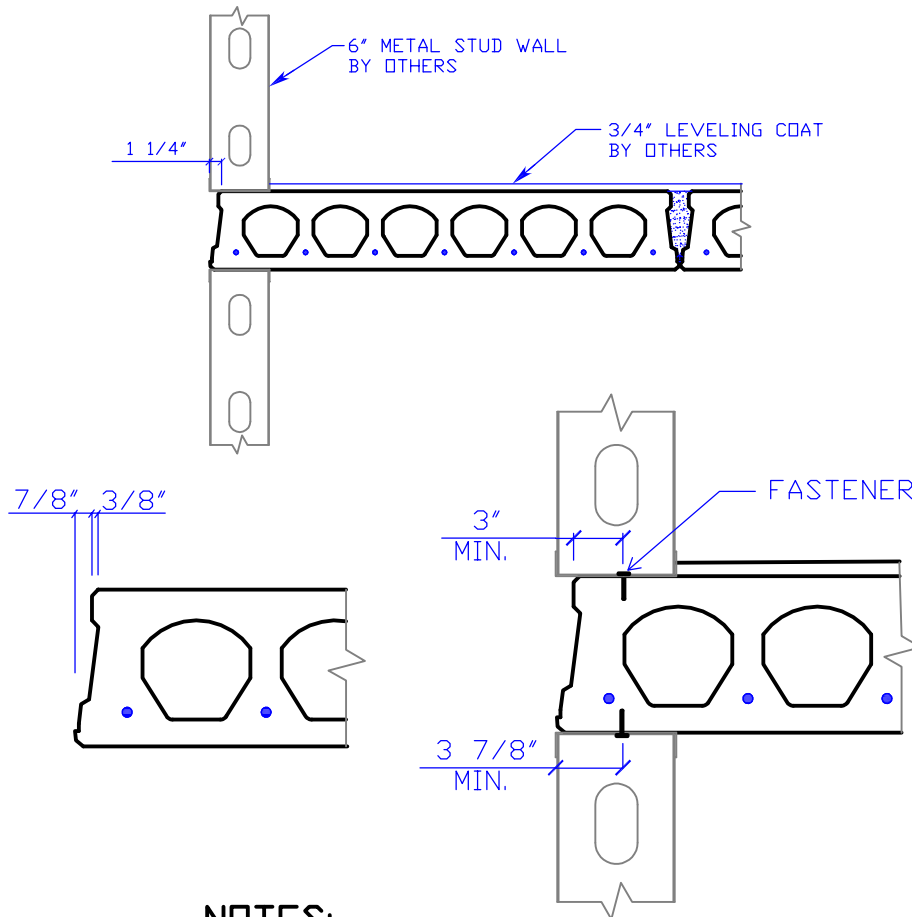


NICORE CONNECTION DETAIL

HOLLOW CORE PLANK DETAIL

4'-0" WIDE NICORE AT EXTERIOR 6" STUD CLADDING WALL



NOTES:

1. N.C.P. TESTING TO DETERMINE MINIMUM EDGE DISTANCE WAS DONE WITH A 22 CALIBER CARTRIDGE.
2. THE 3" EDGE DISTANCE SHOWN MUST NOT BE LESS THAN RECOMMENDED BY FASTENER MANUFACTURER.
3. DETAIL FOR A 4" NOMINAL STUD WALL IS SHOWN ON PAGE 23.

NITTERHOUSE
CONCRETE PRODUCTS

P. O. Box 2013
P: (717) 267-4505



Chambersburg, PA 17201
F: (717) 267-4518

www.nitterhouse.com

PAGE 22



October 2013