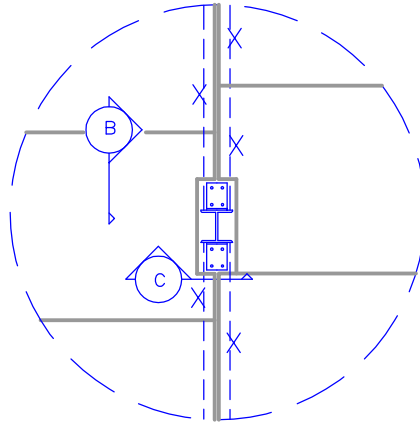


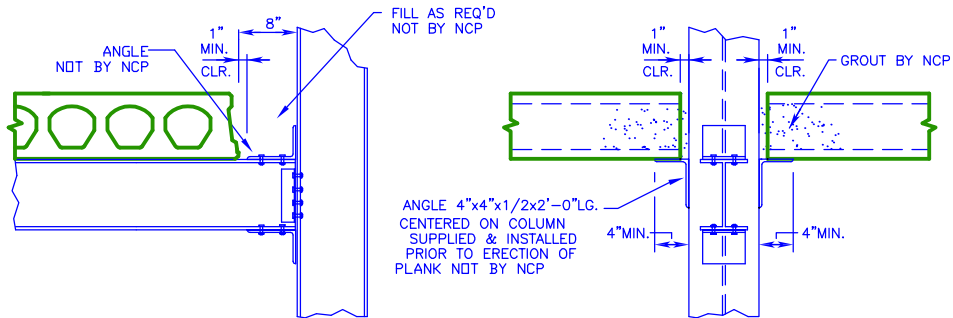
# NICORE CONNECTION DETAIL

## HOLLOW CORE PLANK CONNECTION

### STEEL COLUMN/BEAM CONNECTION



DETAIL A  
PLAN VIEW



SECTION B  
NOT TO SCALE

SECTION C  
NOT TO SCALE

### NOTES:

1. THE E.O.R. AND THE GENERAL CONTRACTOR ARE RESPONSIBLE FOR DESIGNING, SUPPLYING AND INSTALLATION OF PLANK BEARING SUPPORT AT STEEL COLUMN/ BEAM CONNECTION.

**NITTERHOUSE**  
CONCRETE PRODUCTS

P. O. Box 2013  
P: (717) 267-4505



Chambersburg, PA 17201  
F: (717) 267-4518

www.nitterhouse.com

