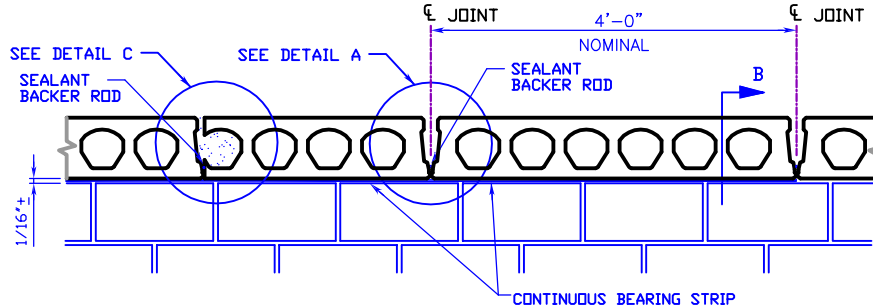


NICORE CONNECTION DETAIL

HOLLOW CORE PLANK CONNECTION TYPICAL ERECTION DETAILS

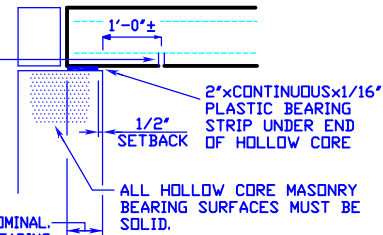
NOTE: IF TOPPING IS REQUIRED, JOINTS MUST BE GROUTED FIRST.
3500 PSI SAND & CEMENT GROUT IN JOINTS



TYPICAL ERECTION DETAILS FOR HOLLOW CORE PLANK

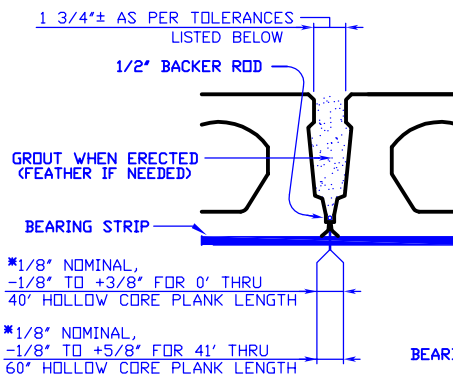
WHILE ERECTING HOLLOW CORE PLANK DURING COLDER WINTER MONTHS, IT MAY BE NECESSARY TO FIELD DRILL 3/8"Ø WEEP HOLES IN THE HOLLOW CORES OF UNPROTECTED HOLLOW CORE PLANK. THIS IS DONE TO PREVENT BREAKAGE OF THE FLANGES CAUSED BY EXPANSION OF FREEZING WATER TRAPPED IN THE HOLLOW CORES.

THE MASONRY DIMENSIONS SHOWN ON THESE DRAWINGS ARE NOMINAL. THEREFORE, THE BEARING DIMENSIONS ARE ALSO NOMINAL. ACTUAL BEARING DIMENSIONS WILL BE LESS THAN SHOWN ON SPECIFIC BEARING SECTIONS.



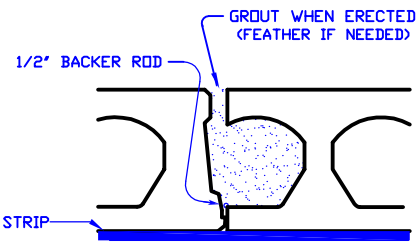
SECTION B

(REFER TO CONTRACT FOR WEEP HOLE INCLUSION OR EXCLUSION FROM NCP SCOPE OF WORK)



DETAIL A

* ADJUST AS REQUIRED TO ACCOMMODATE CONSTRUCTED BUILDING DIMENSIONS.



DETAIL C

FACTORY CUT SIDE OF PLANK DENOTED BY "*" ON LAYOUT

NOTE: HARDBOARD STRIPS MAY BE SUBSTITUTED, IF REQUESTED AND AGREED TO BY CONTRACT.

NITTERHOUSE
CONCRETE PRODUCTS

P. O. Box 2013
P: (717) 267-4505



Chambersburg, PA 17201
F: (717) 267-4518

www.nitterhouse.com

