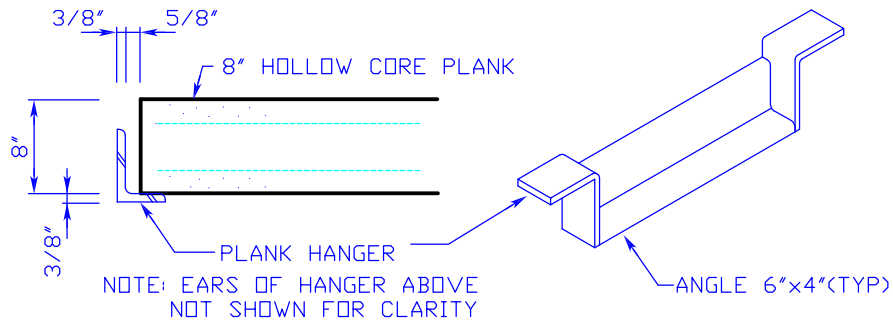
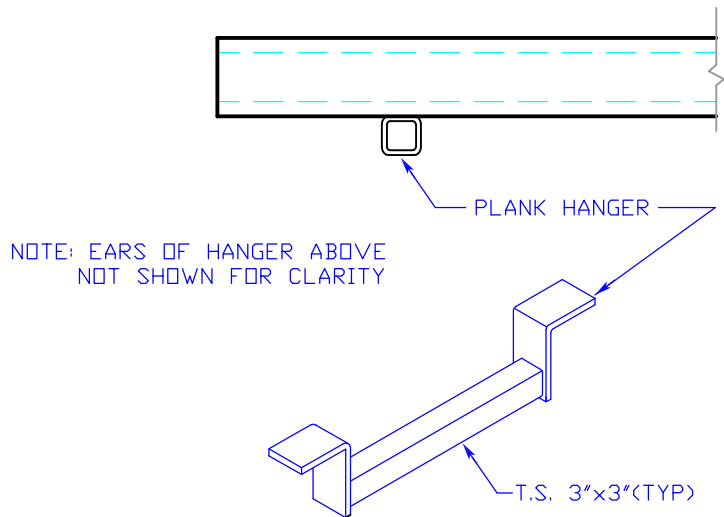


# NICORE CONNECTION DETAIL

## HOLLOW CORE PLANK CONNECTION HANGER DESIGN



**TYPICAL HANGER**



**SPECIAL UNDER-SLUNG HANGER  
FOR LARGE OPENINGS**

### NITTERHOUSE

CONCRETE



PRODUCTS

P. O. Box 2013  
P: (717) 267-4505

Chambersburg, PA 17201  
F: (717) 267-4518

[www.nitterhouse.com](http://www.nitterhouse.com)

