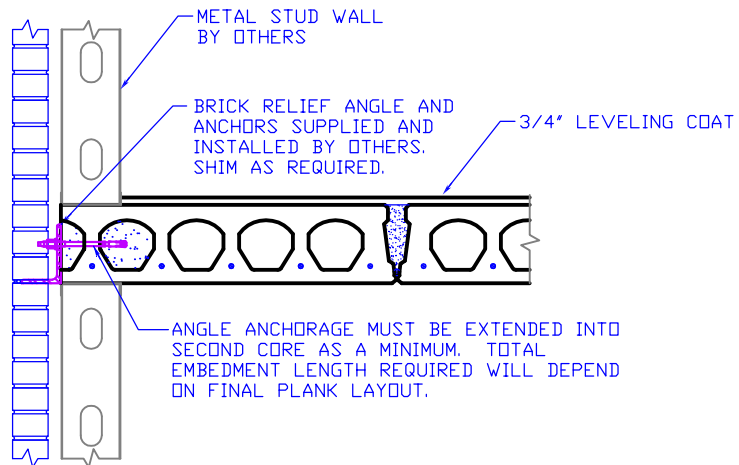


# NICORE CONNECTION DETAIL

## HOLLOW CORE PLANK DETAIL

### NICORE RIP AT BRICK RELIEF ANGLE



**NITTERHOUSE**  
CONCRETE PRODUCTS

P. O. Box 2013  
P: (717) 267-4505



Chambersburg, PA 17201  
F: (717) 267-4518

[www.nitterhouse.com](http://www.nitterhouse.com)

PAGE 24



October 2013