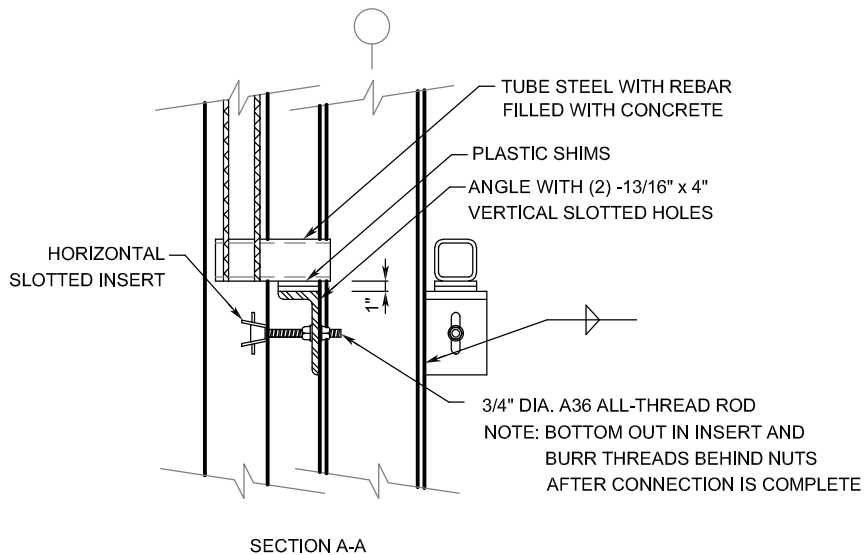
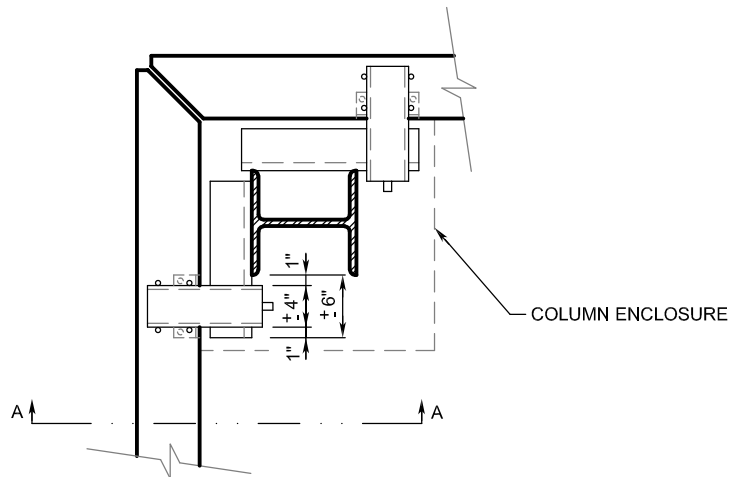




# WALL PANEL CONNECTION DETAIL

## ANGLE TIE-BACK AND BEARING CORNER COLUMN



NOTE: THE ENGINEER OF RECORD SHALL CHECK THE COLUMN FOR LOCALIZED BUCKLING