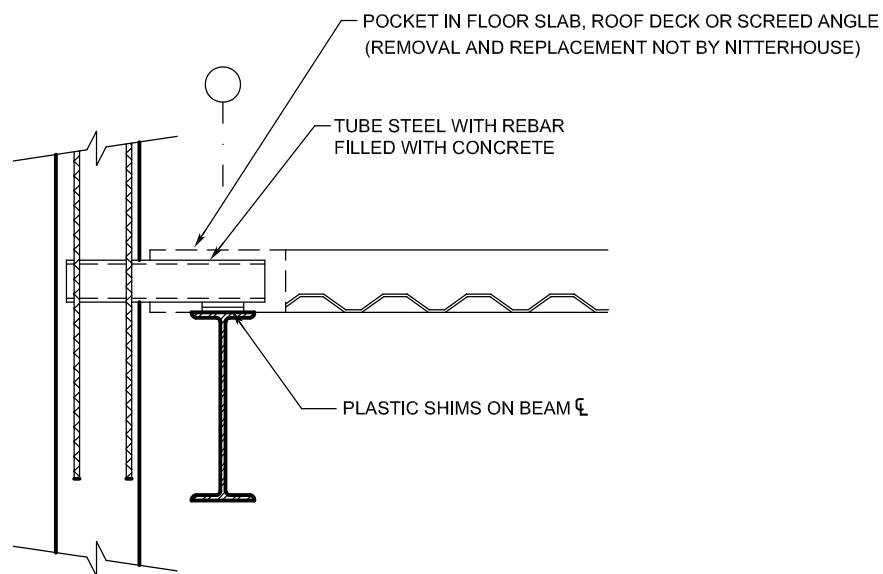




WALL PANEL CONNECTION DETAIL

BEAM BEARING



NOTE: THE ENGINEER OF RECORD SHALL CHECK THE BEAM FOR LOCALIZED BUCKLING