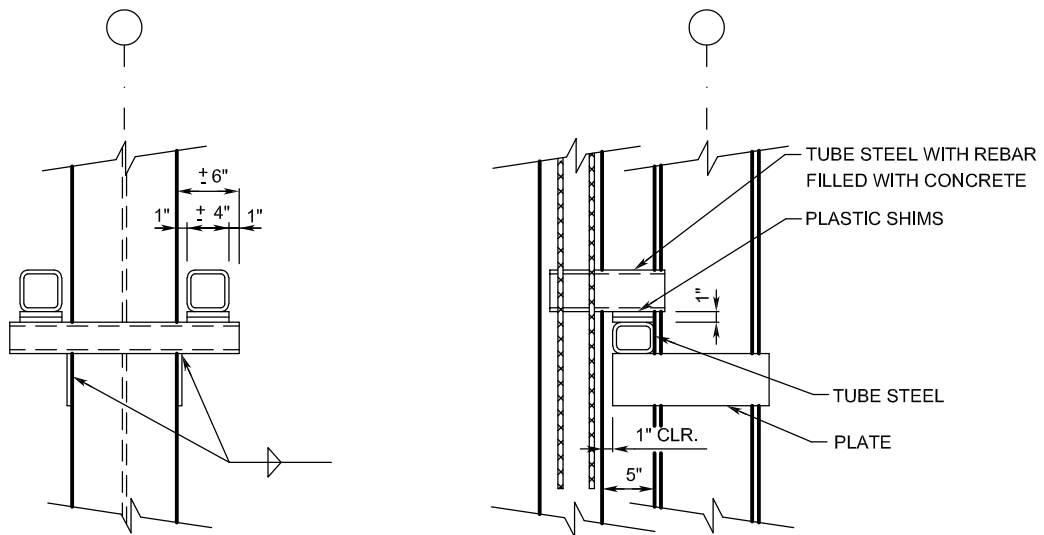




WALL PANEL CONNECTION DETAIL

COLUMN BEARING



NOTE: THE ENGINEER OF RECORD SHALL CHECK THE COLUMN FOR LOCALIZED BUCKLING