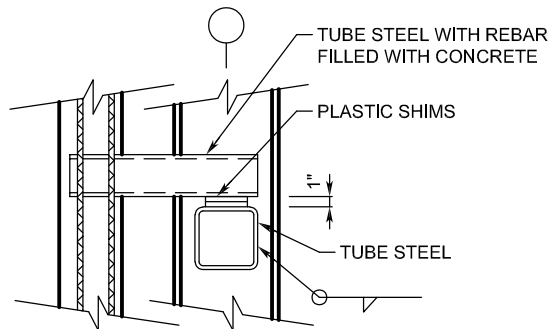
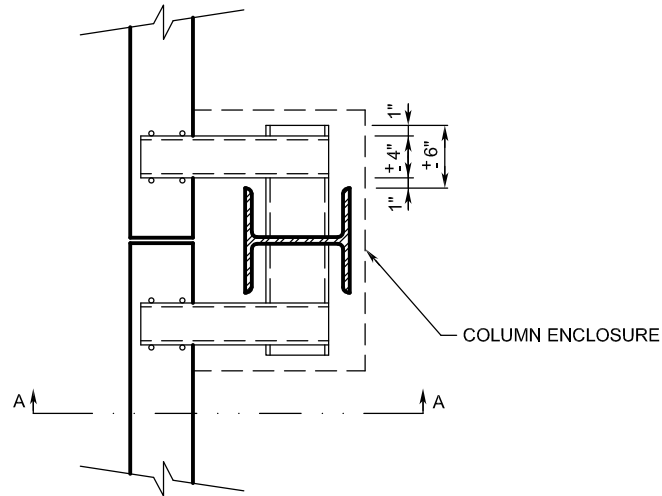




# WALL PANEL CONNECTION DETAIL

## COLUMN BEARING



SECTION A-A

NOTE: THE ENGINEER OF RECORD SHALL CHECK THE COLUMN FOR LOCALIZED BUCKLING