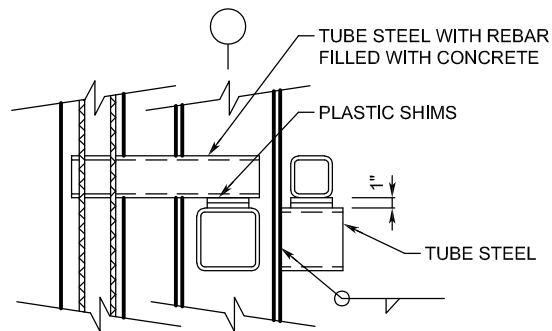
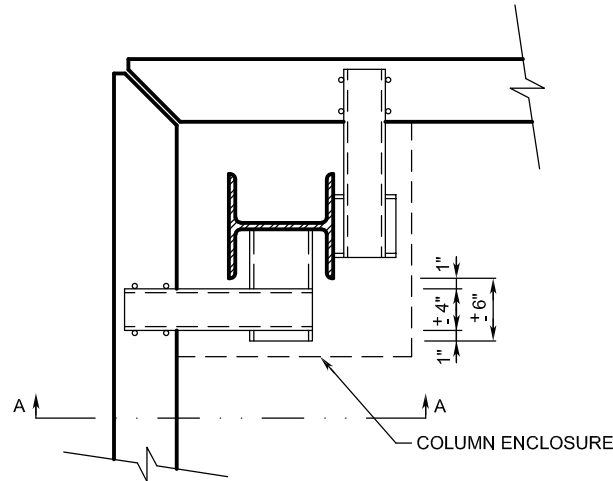




WALL PANEL CONNECTION DETAIL

CORNER COLUMN BEARING



SECTION A-A

NOTE: THE ENGINEER OF RECORD SHALL CHECK THE COLUMN FOR LOCALIZED BUCKLING