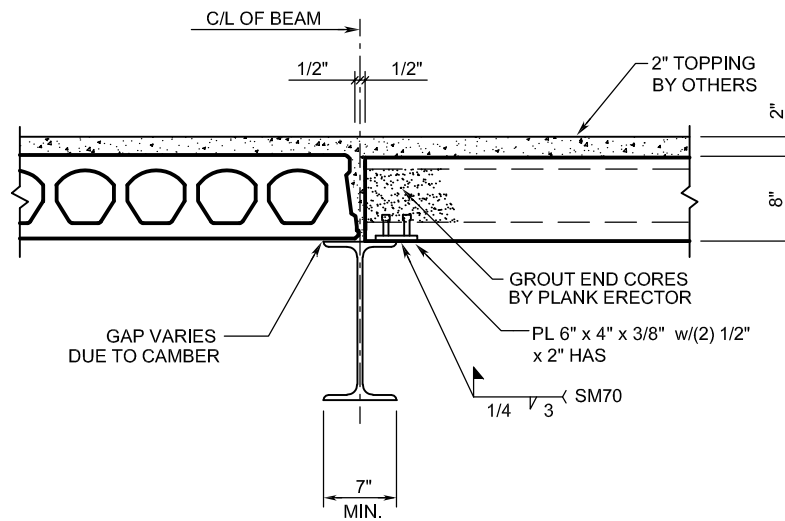


NICORE CONNECTION DETAIL

DETAIL OF BEARING ON STEEL BEAM



NOTES:

1. NITTERHOUSE WILL PROVIDE A BROOMED FINISH IN ORDER TO CREATE A COMPOSITE TOPPING. C.I.P. TOPPING BY OTHERS IS TO BE 3,000 PSI. (NORMAL WEIGHT CONCRETE).
2. WELD PLATES ARE FOR BRACING THE COMPRESSION FLANGE OF THE STEEL BEAM AND FOR TRANSFERRING DIAPHRAGM FORCES. THEY ARE NOT TO HOLD THE PLANKS ON THE STEEL BEAMS. THE CONTRACT DRAWING SHALL INDICATE THE REQUIRED SPACING USING 4'-0" INCREMENTS.