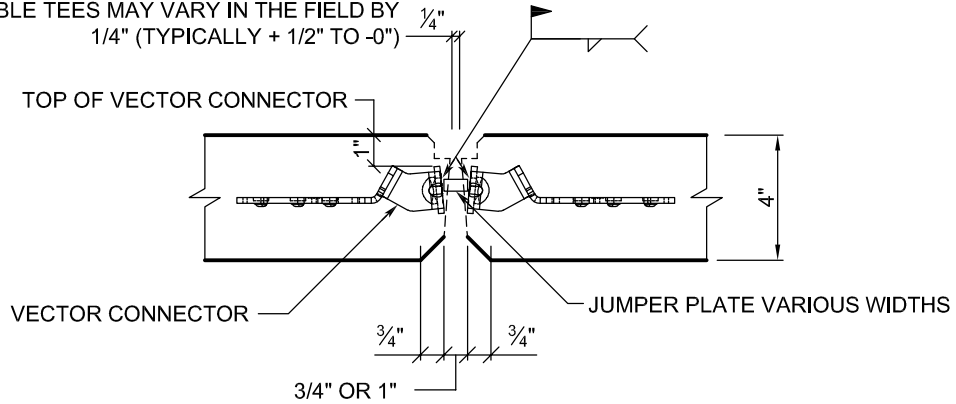




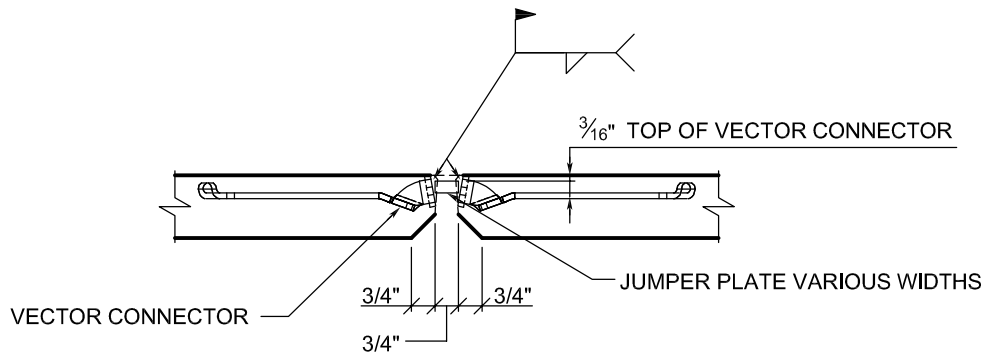
PARKING STRUCTURE CONNECTION DETAIL

TEE TO TEE

NOTE: THE 1/4" JOINT BETWEEN THE DOUBLE TEES MAY VARY IN THE FIELD BY 1/4" (TYPICALLY + 1/2" TO -0")



(4" FLANGE)



(2" FLANGE)