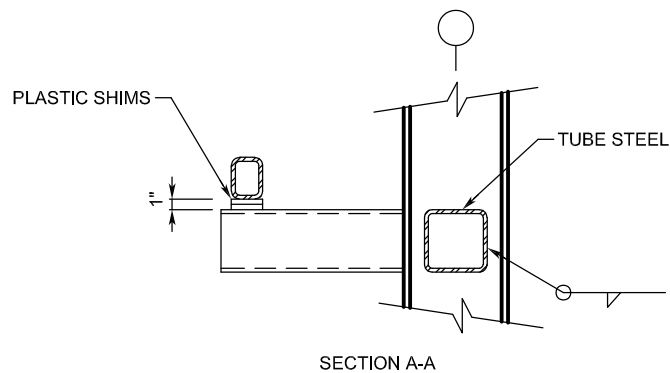
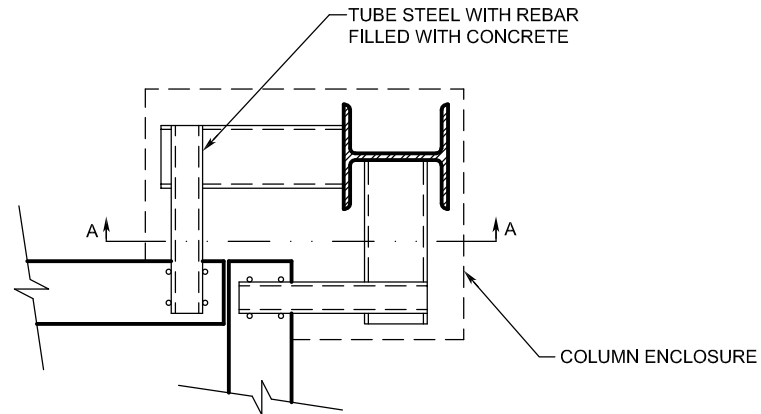




WALL PANEL CONNECTION DETAIL

INTERIOR CORNER BEARING



NOTE: THE ENGINEER OF RECORD SHALL CHECK THE COLUMN FOR LOCALIZED BUCKLING