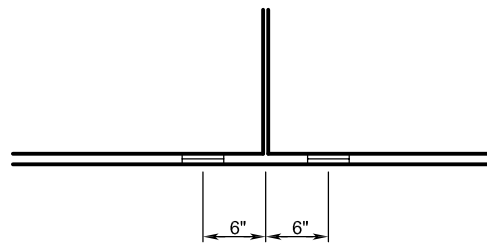
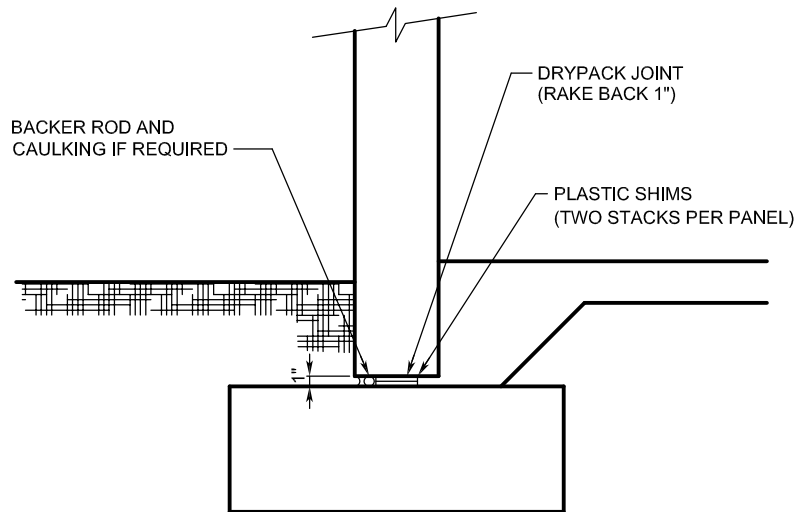




# WALL PANEL CONNECTION DETAIL

## PANEL BEARING



PLASTIC SHIM LOCATIONS FROM PANEL JOINTS