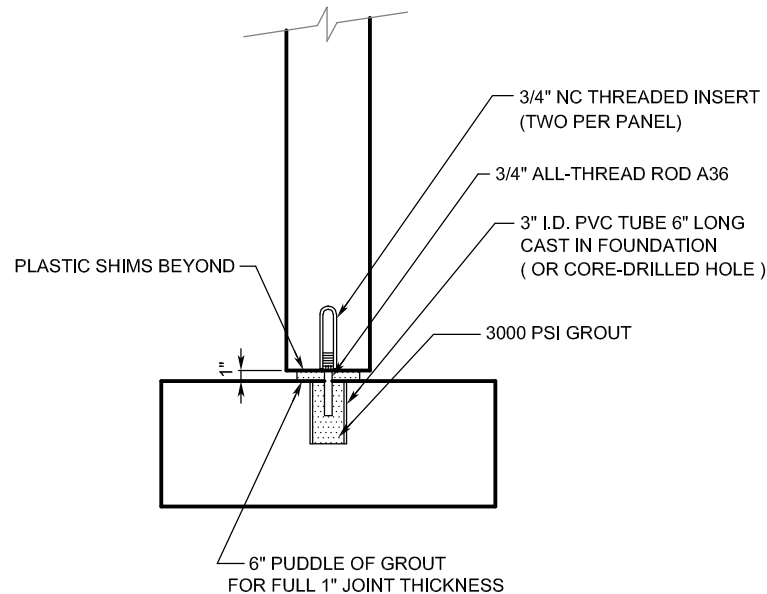




WALL PANEL CONNECTION DETAIL

SLEEVE TIE-BACK



NOTE: IF THE PRECAST CONCRETE MEMBERS ARE MODIFIED IN ANY WAY, E.G. BY DRILLING, GRINDING, CUTTING, CRASHING, OR ABRASIVE BLASTING ON THE SITE, THE ENTITY PERFORMING THE MODIFICATION IS TO COMPLY WITH APPLICABLE OSHA RESPIRABLE CRYSTALLINE SILICA STANDARDS, I.E. CFR 1910.1053 AND/OR CFR 1926.1153. USE PROPER ENGINEERING CONTROLS, WORK PRACTICES AND PERSONAL PROTECTION EQUIPMENT (PPE) TO PREVENT EXPOSURE TO RESPIRABLE CRYSTALLINE SILICA AND CONCRETE DUST. REFER TO THE SAFETY DATA SHEET (SDS) LOCATED AT:
[HTTP://NITTERHOUSECONCRETE.COM/WP-CONTENT/UPLOAD/2012/NITTERHOUSE-PCI-SDS-SILICA.PDF.](http://nitterhouseconcrete.com/wp-content/uploads/2012/nitterhouse-pci-sds-silica.pdf)